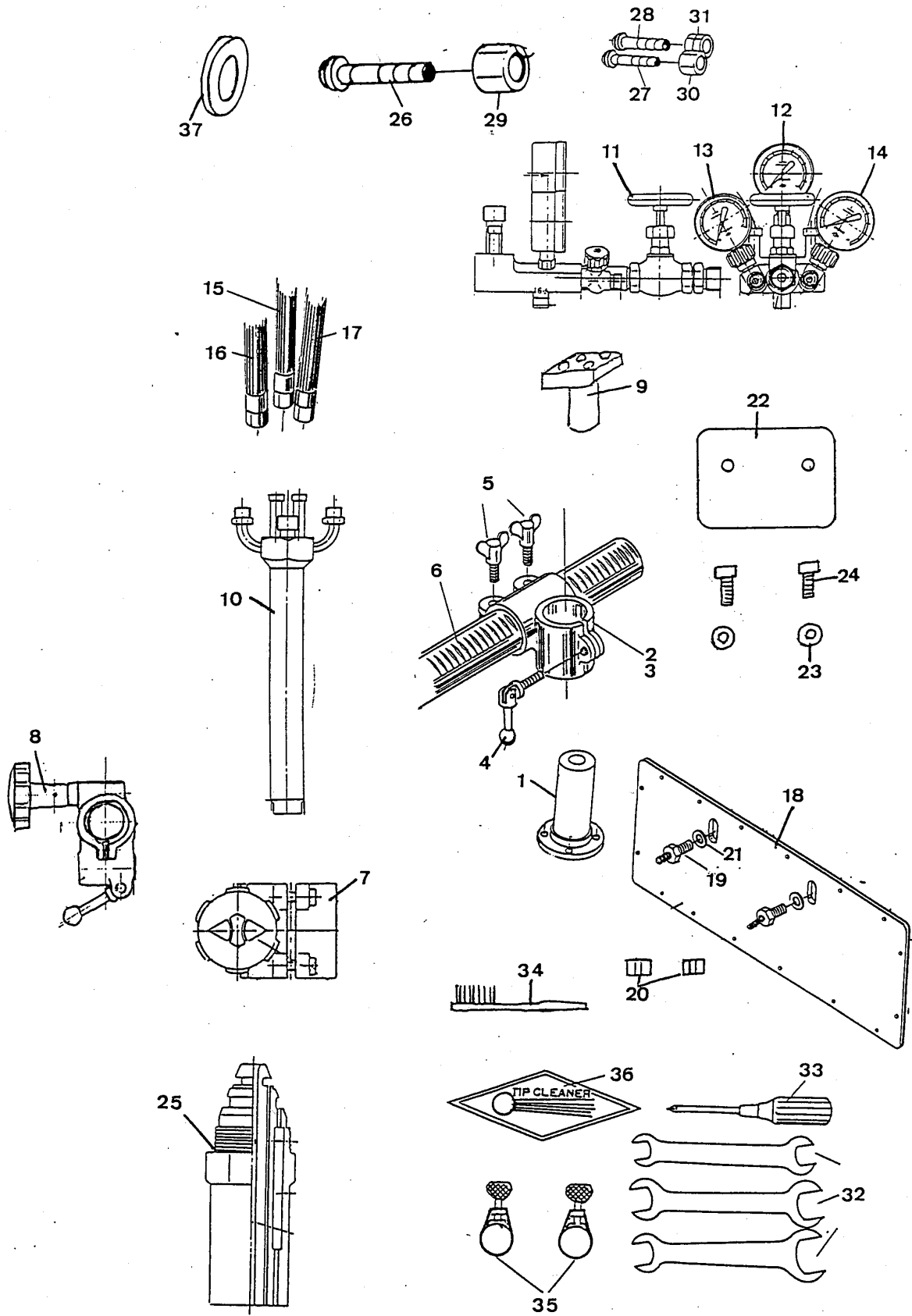


6. Parts list



ITEM No.	PART NAME	QTY	STOCK No.	REMARKS
1	Stand	1	60030378	
2	Arm holder assy	1	60030301	
3	Arm holder	1	60030314	
4	Crank handle	1	60030313	M8x20
5	Wing bolt	2	60030315	M8x20
6	Pipe arm	1	60030321	500mm
7	Torch holder assy	1	60030367	
8	Cross feed holder assy	1	60030372	
9	Fitting stand	1	60035244	
10	Torch	1	60010765	M16xP1.5
	Torch	(1)	60010766	U.S.A. only
11	Distributor	1	60013360	
	Distributor	(1)	60013361	U.S.A. only
12	Presser gage (JO)	1	60013368	
13	Presser gage (PO)	1	60013367	★
14	Presser gage (GAS)	1	60013367	
15	Hose (JO)	1	60035250	
	Hose (JO)	(1)	61005012	U.S.A. only
16	Hose (PO)	1	60035251	
	Hose (PO)	(1)	61005013	U.S.A. only
17	Hose (GAS)	1	60035252	
	Hose (GAS)	(1)	61005014	U.S.A. only
18	Heat shield	1	60030379	
19	Bolt	2	60030380	
20	Nut	2	6D010100	NH-10

ITEM No.	PART NAME	QTY	STOCK No.	REMARKS
21	Washer	2	6D500100	WF-10
22	Weight	2	60030346	
23	Washer	2	6D500100	WF-10
24	Bolt	2	6C011045	BH-10x45
25	Cutting tip	2	DB19401B	
26	Hose connector (JO)	1	60035247	
27	Hose connector (PO)	1	60015033	
28	Hose connector (GAS)	1	60015034	
29	Nut (JO)	1	60035246	M24
30	Nut (PO)	1	60015035	
31	Nut (GAS)	1	60015036	
32	Spanner	1	60030309	
33	Driver	1	60030310	
34	Brush	1	60030705	
35	Hose band	2	60030312	
36	Tip cleaner	1	60030311	
37	Packing	3	60035245	