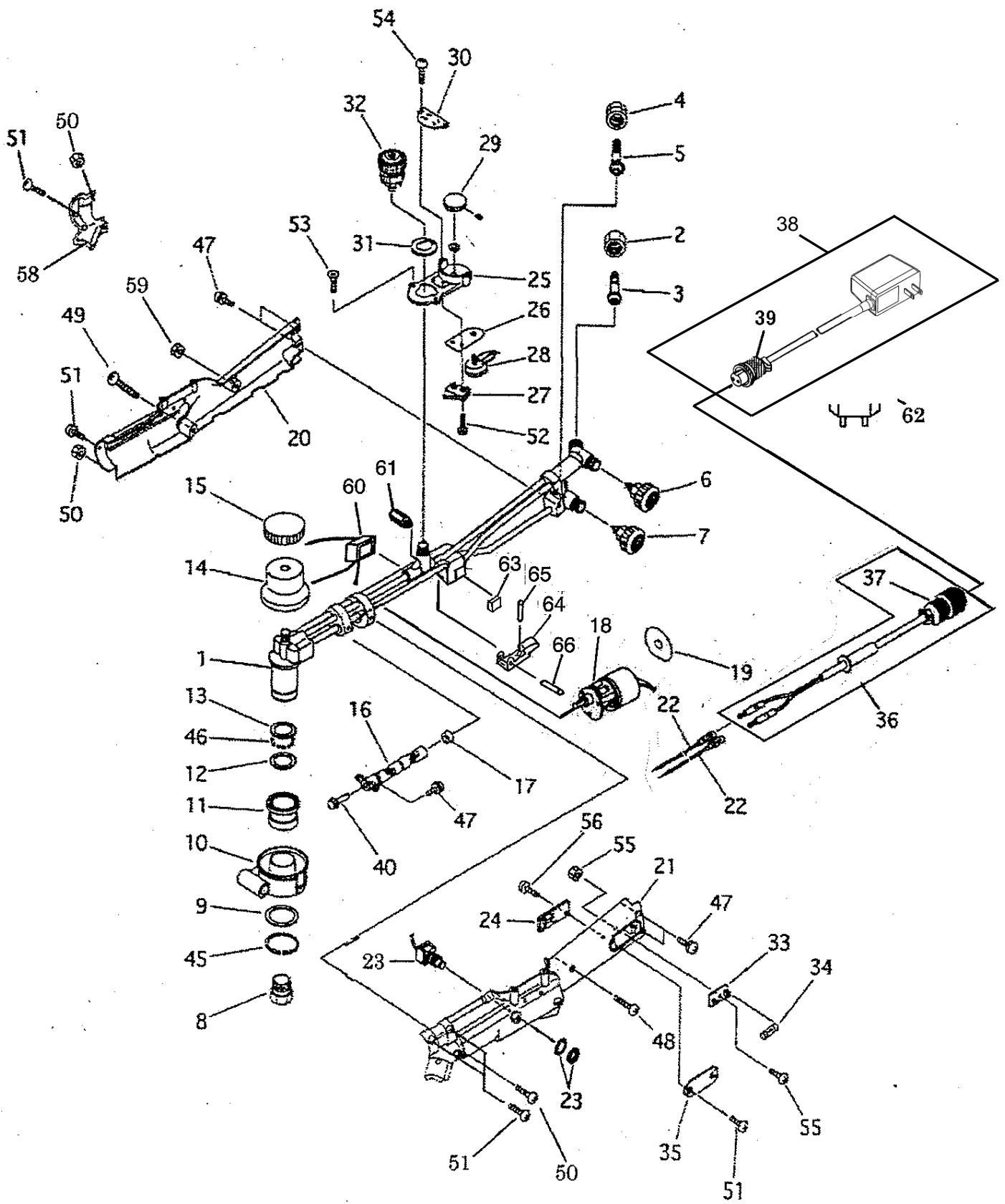


10 Parts list

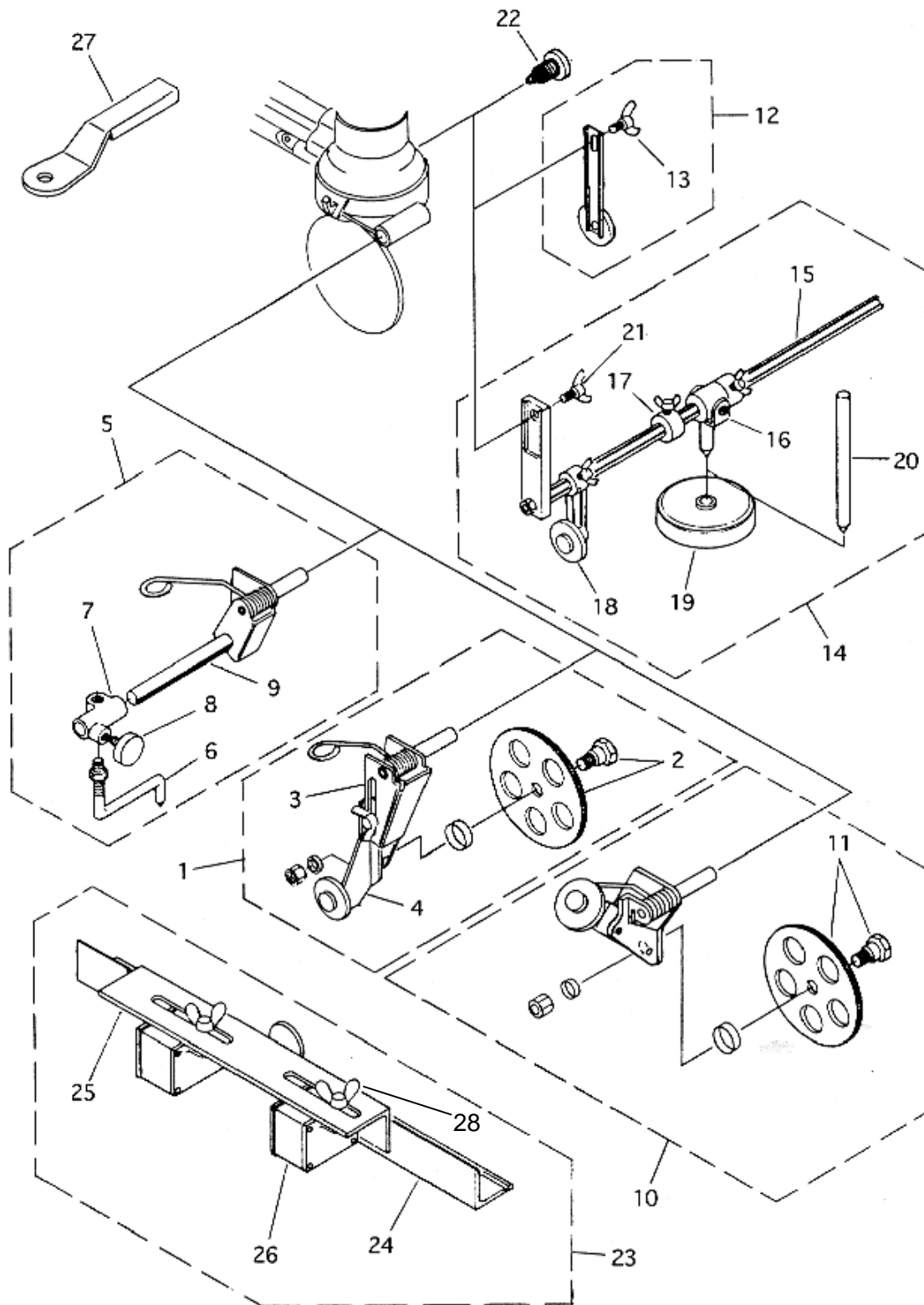
10.1 Main units



Main units

Item No.	Part name	Q'ty	Stock No.	Remarks
1	Torch	1	61001953	2A01356A0
2	Nut for oxygen(right)	1	60015092	1/4
3	Hose connector(OX)	1	60015090	6mm
4	Nut for Gas(left)	1	60015093	3/8
5	Hose connector(Gas)	1	60015091	9mm
6	Valve for preheat oxygen	1	80015777	Blue
7	Valve for gas	1	80015778	Red
8	Tip fixing nut	1	60005020	
9	Torch head collar	1	60030003	
10	Gear cover	1	60030004	
11	Bevel gear	1	60030007	With DU bush
12	Thrust collar (Lower side)	1	60030008	
13	Thrust collar (Upper side)	1	60030009	
14	Torch head cover	1	60030005	
15	Position setting knob	1	60030006	
16	Universal joint	1	60030010	
17	Reduction gear collar	1	60030097	
18	Motor with speed reduction gear	1	61005294	
19	Motor insulating plate	1	60030038	
20	Main unit cover (right)	1	61001724	
21	Main unit cover (left)	1	61001723	
22	Mid way terminal	1	60030028	
23	Press button switch	1	61002003	
24	Printed circuit card	1	60030064	
25	Limit switch cover	1	20536556	★
26	Limit switch insulating cover	1	60030017	
27	Limit switch	1	60030023	
28	Speed adjuster	1	20535930	★
29	Speed adjuster knob	1	20537108	With screw ★
30	Speed adjuster cover	1	60030016	
31	Limit switch top	1	60030012	
32	Jet oxygen valve with knob	1	60030013	
33	Fuse holder	1	60030026	
34	Fuse	1	60030027	
35	Fuse cover	1	60030018	
36	Metal socket with cord	1	61005401	CE type
37	Plug	1	6N100067	NCS-162-Ad
38	AC adapter with cabtyre cord (16F)	1	20543811	★
39	Plug	1	6N100066	NCS-162-P
40	Bevel gear (S)	1	60030062	
45	Stop ring	1	6B530280	ISTW-28
46	Steel ball	32	60030181	
47	Screw	1	6C530410	SP-4x10,With WS
48	Screw	1	6C530430	SP-4x30,With WS
49	Screw	1	6C520435	SP-4x35
50	Screw	1	6C610418	SP-4x18,With NH
51	Screw	4	6C520408	SP-4x8
52	Screw	2	6C520210	SP-2x10
53	Screw	2	6C500408	SF-4x8
54	Screw	2	6C520408	SP-4x8
55	Screw	1	6C610306	SP-3x6,With NH
56	Screw	1	6C520406	SP-4x6
58	Nozzle cover	1	61001725	
59	Hexagon nuts	1	6D010040	NH-4
60	Ignition Transformer	1	61001726	
61	Support	1	64000055	PLSBWRK7-20
62	Adapter plug	1	64000124	2502S/E
63	Micro limit switch	1	64000147	
64	Lever	1	80009299	
65	Pin	1	80009325	
66	Wave spring pin	1	6B400003	PS-3x17

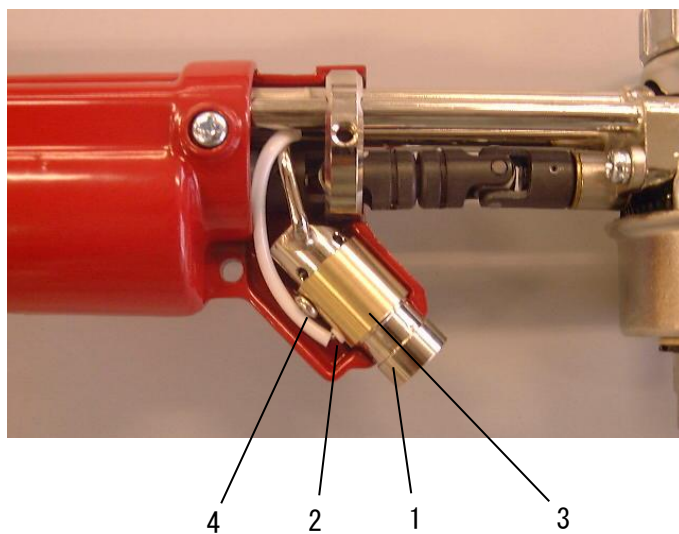
10.2 Option units



Option units

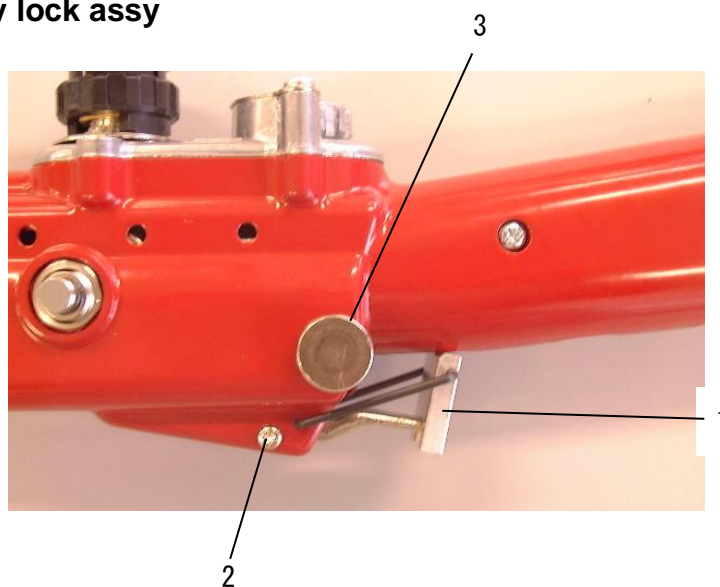
Item No.	Part name	Q'ty	Stock No.	Remarks
1	Standard wheel assembly	1	60030100	
2	Drive wheel (78mm diameter)	1	60030107	With shaft and nut
3	Standard wheel bracket	1	60030108	
4	Guide roller	1	60030109	
5	Small circle cutting attachment assembly	1	61001597	HAP
6	Centering needle	1	61001556	HAP
7	Centering needle holder	1	60030113	
8	Radius setting knob	1	60030114	
9	Bracket bar assembly	1	61001599	HAP
10	Beveling wheel assembly	1	60030102	
11	Beveling wheel	1	60030110	With shaft and nut
12	Auxiliary wheel assembly	1	60030101	
13	Wing bolt	1	60030126	
14	Large circle cutting attachment assembly	1	60030106	
15	Bar (500mm diameter)	1	60030120	
16	Free holder	1	60030121	
17	Stop collar	1	60030122	With wing bolt
18	Support roller	1	60030123	
19	Magnet	1	60030124	
20	Magnet center	1	60030125	
21	Wing bolt	1	60030127	
22	Clutch knob	1	60030115	
23	Straight rail assembly	1	60030104	
24	Rail	1	60030117	
25	Rail bracket	1	60030118	
26	Magnet	2	61001160	
27	Guide lever	1	60030105	
28	Wing bolt	2	6C120510	BS-5×10

1 0 . 3 Pilot unit Assy



Item	Parts Name	Q'ty	Stock No.	Remarks
1	Mixing pipe	1	80009322	
2	Electrode	1	80009324	
3	Cover	1	80009328	
4	Set screw	1	6C520305	SP-3x5

1 0 . 4 Safety lock assy



Item	Parts Name	Q'ty	Stock No.	Remarks
1	Safety lock ass'y	1	61002199	
2	Set screw	1	6C520303	SP-3x3
3	Lock Button	1	80009301	★