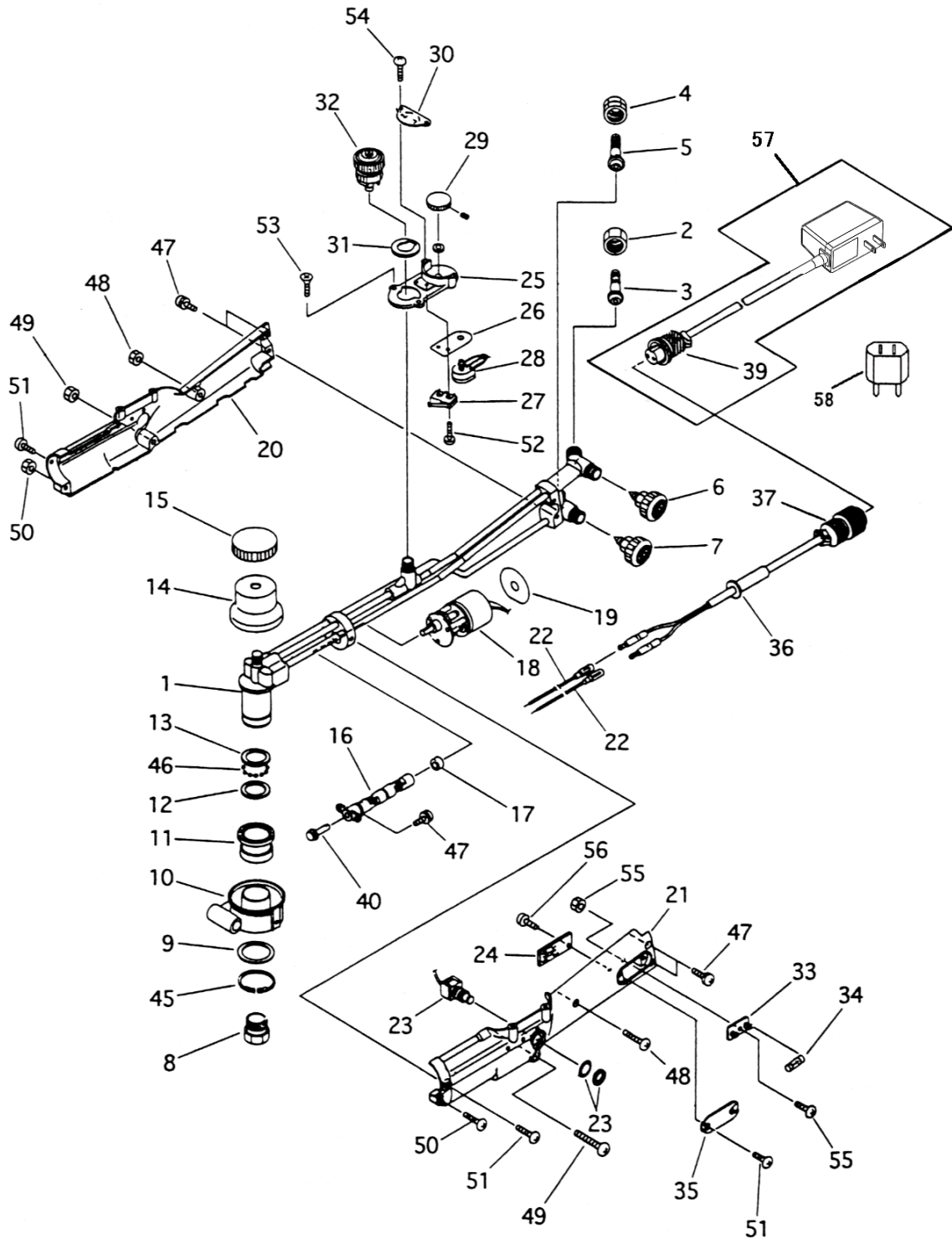


10 Parts list

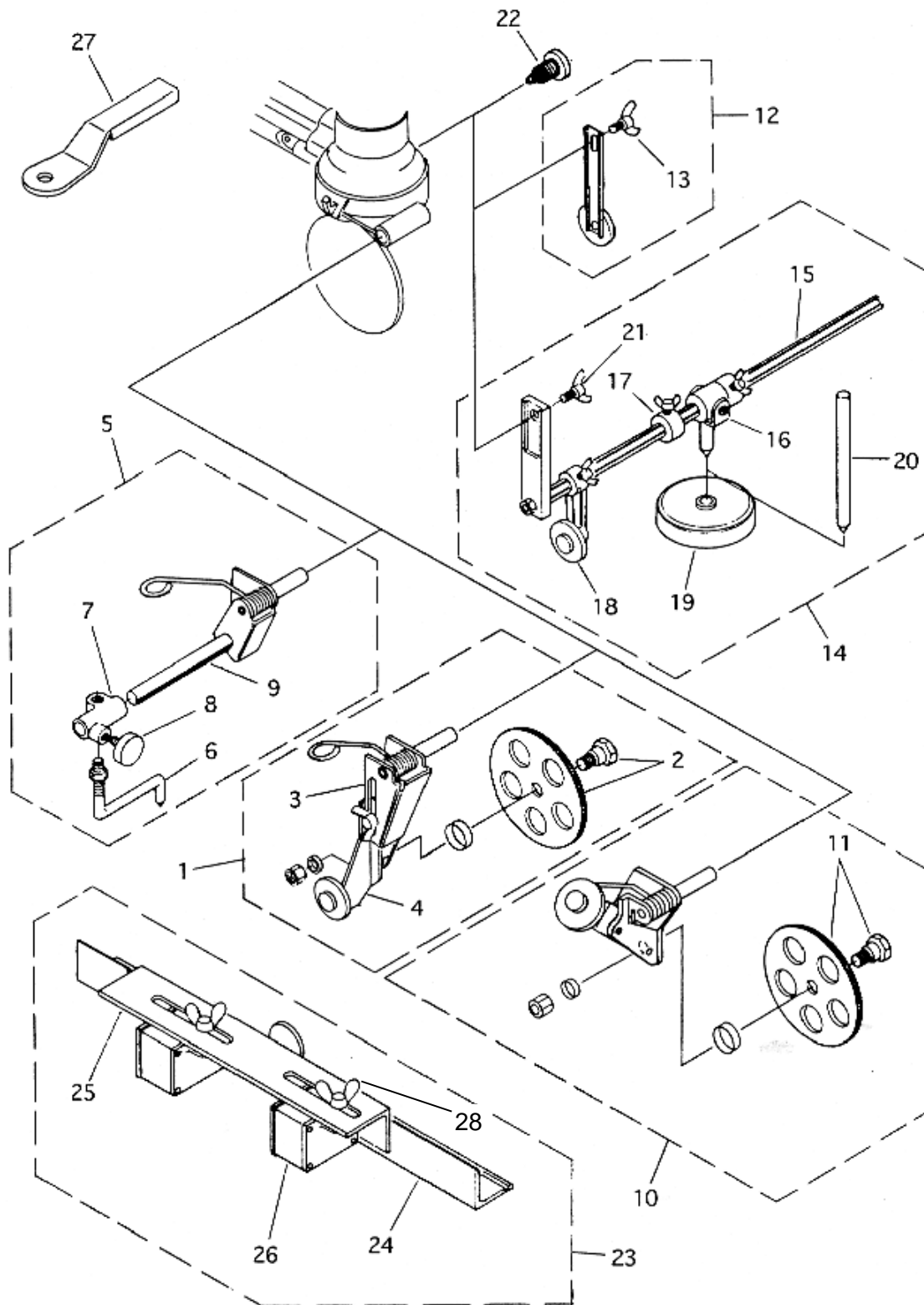
10.1 Main units



Main units

Item No.	Part name	Q'ty	Stock No.	Remarks
1	Torch	1	60030075	
2	Nut for oxygen (Right)	1	60015092	1/4
3	Hose connector (Ox)	1	60015090	6mm
4	Nut for gas (Left)	1	60015093	3/8
5	Hose connector (Gas)	1	60015091	9mm
6	Valve for preheat oxygen	1	60015258	Blue
7	Valve for gas	1	60015256	Red
8	Tip fixing nut	1	60015032	
9	Torch head collar	1	60030003	
10	Gear cover	1	60030004	
11	Bevel gear	1	60030007	
12	Thrust collar (Lower side)	1	60030008	
13	Thrust collar (Upper side)	1	60030009	
14	Torch head cover	1	60030005	
15	Position setting knob	1	60030006	
16	Universal joint	1	60030010	
17	Reduction gear collar	1	60030011	
18	Motor with speed reduction gear	1	61005294	
19	Motor insulating plate	1	60030038	
20	Main unit cover (right)	1	60030019	
21	Main unit cover (left)	1	60030020	
22	Mid way terminal	1	60030028	
23	Press button switch	1	60030022	
24	Printed circuit card	1	60030064	
25	Limit switch cover	1	20536556	★
26	Limit switch insulating cover	1	60030017	
27	Limit switch	1	60030023	
28	Speed adjuster	1	20535930	★
29	Speed adjuster knob	1	20537108	With screw ★
30	Speed adjuster cover	1	60030016	
31	Limit switch top	1	60030012	
32	Jet oxygen valve with knob	1	60030013	
33	Fuse holder	1	60030026	
34	Fuse	1	60030027	
35	Fuse cover	1	60030018	
36	Metal socket with cord	1	61005401	CE type
37	Metal socket	1	6N100067	NCS-162-Ad
38				
39	Metal plug	1	6N100066	NCS-162-P
40	Bevel gear (S)	1	60030062	
45	Stop ring	1	6B530280	ISTW-28
46	Steel ball	32	60030181	
47	Screw	1	6C530410	SR-4x10,With WS
48	Screw	1	6C610425	SR-4x25,With NH
49	Screw	1	6C610435	SR-4x35,With NH
50	Screw	1	6C610418	SR-4x18,With NH
51	Screw	4	6C520408	SR-4x8
52	Screw	2	6C520210	SR-2x10
53	Screw	2	6C500408	SF-4x8
54	Screw	2	6C520418	SR -4x18
55	Screw	1	6C520306	SR-3x6
56	Screw	1	6C520406	SR-4x6
57	HA AC adapter	1	20543811	★
58	Adapter plug	1	64000124	2505S/E

10.2 Option units



Option units

Item No.	Part name	Q'ty	Stock No.	Remarks
1	Standard wheel assembly	1	60030100	With shaft and nut
2	Drive wheel (78mm diameter)	1	60030107	
3	Standard wheel bracket	1	60030108	
4	Guide roller	1	60030109	
5	Small circle cutting attachment assembly	1	61001597	
6	Centering needle	1	61001556	
7	Centering needle holder	1	60030113	
8	Radius setting knob	1	60030114	
9	Bracket bar	1	61001599	
10	Beveling wheel assembly	1	60030102	
11	Beveling wheel	1	60030110	With shaft and nut
12	Auxiliary wheel assembly	1	60030101	
13	Wing bolt	1	60030126	
14	Large circle cutting attachment assembly	1	60030106	
15	Bar (500mm diameter)	1	60030120	
16	Free holder	1	60030121	With wing bolt
17	Stop collar	1	60030122	
18	Support roller	1	60030123	
19	Magnet	1	60030124	
20	Magnet center	1	60030125	
21	Wing bolt	1	60030127	
22	Clutch knob	1	60030115	
23	Straight rail assembly	1	60030104	
24	Rail	1	60030117	
25	Rail bracket	1	60030118	
26	Magnet	2	61001160	BS-5×10
27	Guide lever	1	60030105	
28	Wing bolt	2	6C120510	