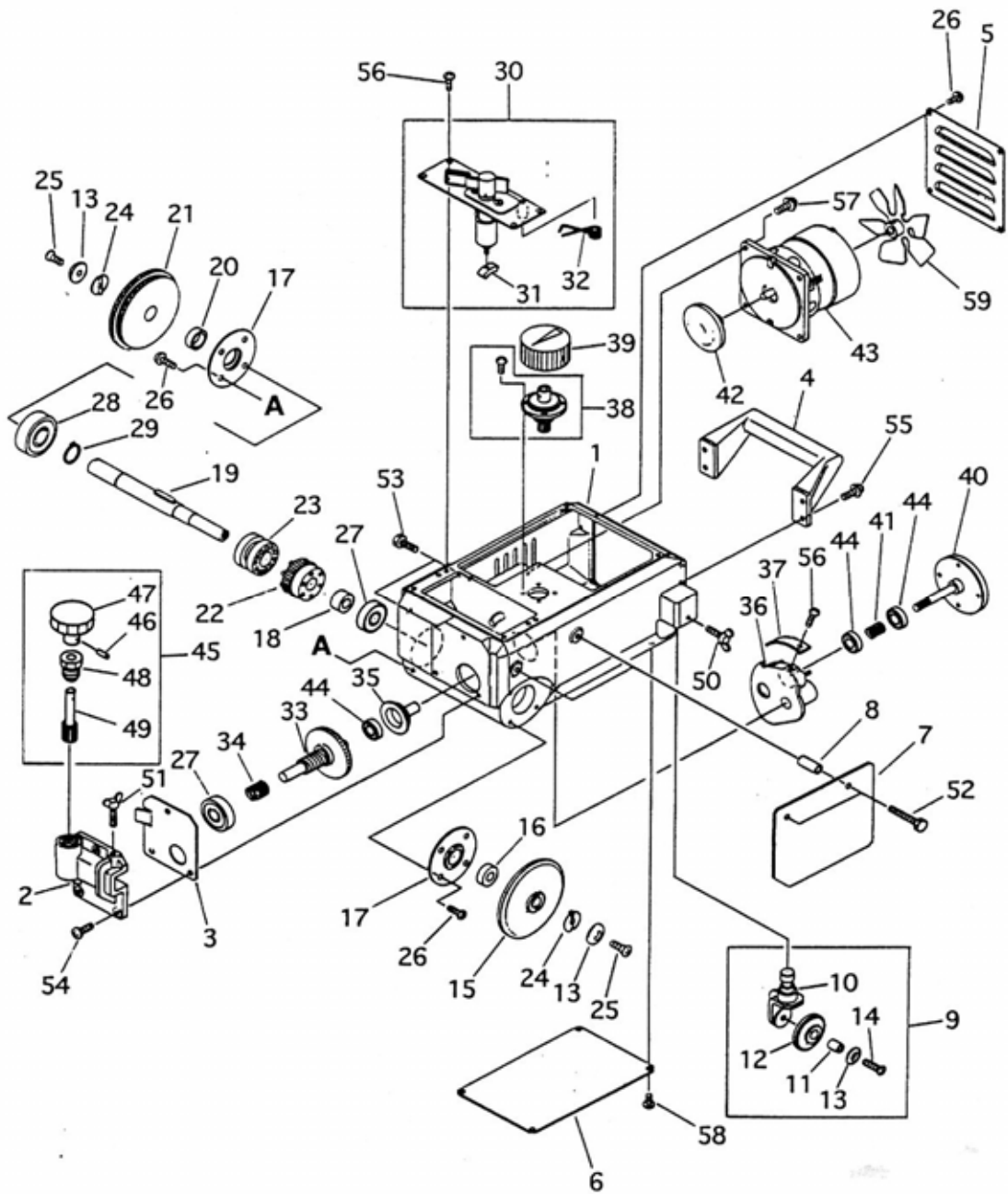


IK-12 BEETLE

10 Parts list

10.1 Main units



IK-12 BEETLE

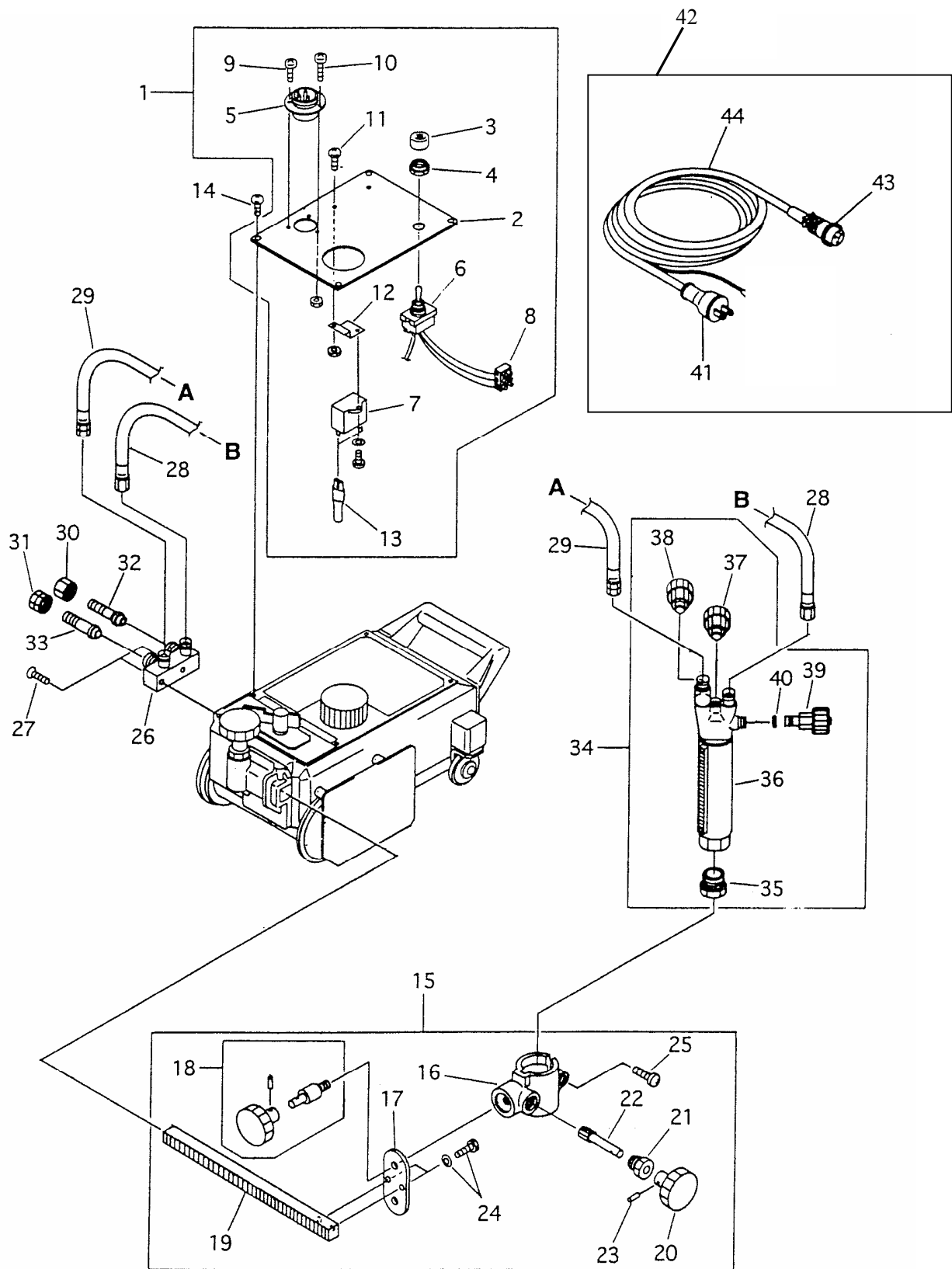
No.	PART NAME	QTY	STOCK No.	REMARKS
1	Case	1	T60031802	
2	Cross feed holder	1	T60031803	
3	Cross feed liner	1	T60031804	
4	Handle	1	T60031805	
5	Fan cover	1	T60031806	
6	Bottom plate	1	T60031807	
7	Heat shield	1	T60031808	
8	Heat shield collar	2	T60031809	
9	Idle wheel unit (component)	1	T60031810	
10	Idle wheel bracket (component)	1	T60031811	
			T60033973	
11	Roller shaft	1	T60031812	
12	Roller	1	T60030213	
13	Washer	3	T60030241	
14	Screw	1	T6C510525	SM-5 × 25
15	Idle wheel	1	T60031813	
16	Collar(A)	1	T60031814	
17	Bearing retainer	2	T60031815	
18	Collar(B)	1	T60031816	
19	Drive wheel shaft	1	T60031817	With key
20	Collar(C)	1	T60031818	
21	Drive wheel	1	T60031819	
22	Worm wheel (component)	1	T60030247	T60032315
				T60032316
				T60032317
				T6B540023E
23	Clutch	1	T60030246	
24	Washer	2	T60030242	
25	Screw	2	T6C510515	SM-5×15
26	Screw	12	T6C520508	SP-5×8
27	Bearing	2	T6A036300	6300ZZ
28	Bearing	1	T6A036302	6302ZZ
29	Stop ring	1	T6B520150	STW-15
30	Clutch lever assembly (component)	1	T60031820	
31	Slider	1	T60030265	
32	Clutch spring	1	T60031821	
33	Worm shaft assembly (component)	1	T60031822	T60033948
				T60032303
34	Worm spring	1	T60031823	
35	Speed adjusting shaft	1	T60031824	
36	Speed adjusting bracket	1	T60031825	
37	Rack	1	T60031826	
38	Speed adjusting handle (component)	1	T60031827	T60033941
				T60033942
				T60033943
				T60033944
				T60033945
				T6E610140

IK-12 BEETLE

No.	PART NAME	QTY	STOCK No.	REMARKS
39	Speed adjusting knob	1	T60031828	
40	Speed adjusting cone assy	1	60031860	
41	Cone spring	1	60031829	
42	Motor disk	1	60031868	
43	Motor	1	T60031830	100V-120
		1	T60031832	200V-220
		1	60031833	230V-240
		1	60031831	42V
44	Bearing	3	T6A030608	608ZZ
45	Cross feed pinion unit (component)	1	T60031835	
46	Spring pin	1	T6B022516	PR-2.5×16
47	Handle	1	T60030223	φ40
48	Pinion metal	1	T60030318	
49	Pinion	1	T60030319	
50	Wing bolt	1	T6C110615	BS-6×15
51	Wing bolt	1	T6C110625	BS-6×25
52	Hexagon bolt	2	T6C010630	BH-6×30
53	Hexagon bolt	2	T6C010618	BH-6×18
54	Screw	3	T6C520614	SP-6×14
55	Screw (WS)	4	T6C530515	SP-5×15
56	Screw	10	T6C520410	SP-4×10
57	Screw	4	T6C520415	SP-4×15
58	Screw	8	T6C730406	SP-4 × 8
59	Motor fan	1	60030289	with screw

IK-12 BEETLE

10.2 Electrical, gas and torch slide holder units



IK-12 BEETLE

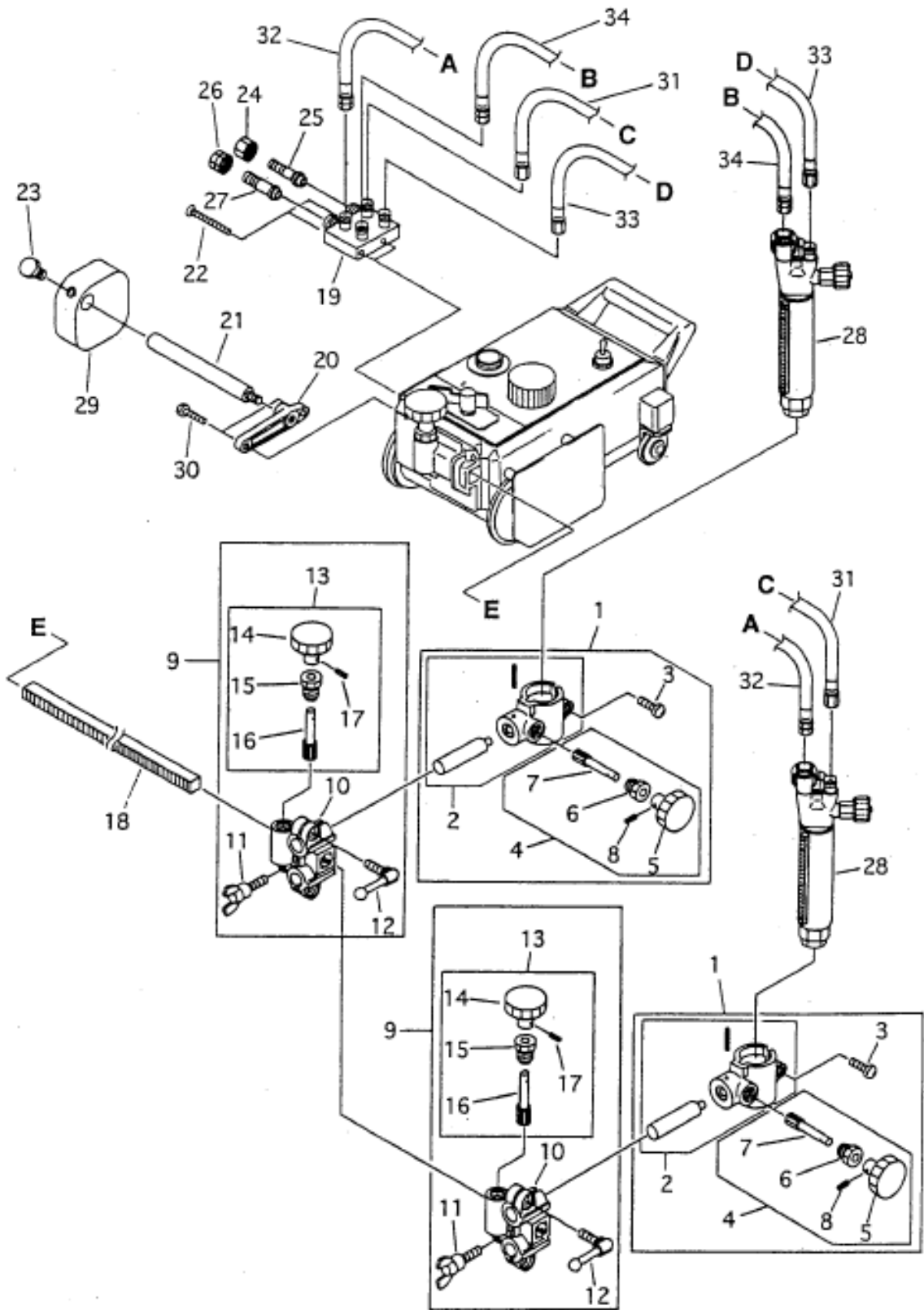
No.	PART NAME	QTY	STOCK No.	REMARKS
1	Panel assembly	1	T98000013	42V
	Panel assembly	1	T98000014 T98000017	100V-120V 120V(KAR)
	Panel assembly	1	T98000015 T98000018	200V-220V 220V(KAR)
	Panel assembly	1	T98000016	230V-240V
2	Panel	1	T95D02399	
3	Cap for dust protector	1	T60032431	
4	Nut for dust protector	1	T89000011	
5	Metal socket	1	T6N100061	3P
	Metal socket	1	T6N100062	4P
6	Switch	1	T60030283	100V-120V
	Switch	1	T60031859	200V-240V-42V
7	Condenser	1	T60035207	100V
	Condenser	1	T60035219	200V-220V
	Condenser	1	T60035209	230V-240V
	Condenser	1	T60035210	42V
8	Terminal	1	T60031841	100V-120V 3P
	Terminal	1	T60030656	200V-240V 4P
9	Screw	2	T6C510306	
10	Screw	1	T6C620308	
11	Screw	1	T6C610306	
12	Condenser fixing plate	1	T60032389	
13	Fston terminal	2	T60035211	
14	Screw	4	T6C520408	
15	Torch holder assembly (component)	1	T60031801	
16	Torch holder	1	T60031842	
17	Torch holder fixing plate	1	T60031843	
18	Holder fixing handle (component)	1	T60031844	T60033957
				T60030223
				T6B022516
19	Rack bar	1	T60031845	
20	Handle (40)	1	T60030223	
21	Pinion metal	1	T60030909	
22	Pinion	1	T60030910	
23	Spring pin	1	T6B022516	PR-2.5 × 16
24	Hexagon bolt	1	T6C440514	BC-5 × 14
25	Screw	1	T6C520625	SP-6 × 25
26	Distributor	1	T60031846	Except USA /KE
	Distributor	1	60030847	USA only
	Distributor	1	60031873	KE only
27	Screw	2	T6C510525	
28	Hose for oxygen	1	T89000690	Except USA
	Hose for oxygen	1	T60030304-1	USA only
29	Hose for gas (Red)	1	T89000691	Except USA
	Hose for gas (Red)	1	T89000742	USA only
	Hose for gas (Orange)	1	T89000692	Except USA
30	Nut for oxygen	1	T60015056	KE
	Nut for oxygen	1	T60015001	KET KKE KSK
31	Nut for gas	1	T60015054	KE
	Nut for gas	1	T60015002	KET KKE KSK

IK-12 BEETLE

32	Hose connector (ox)	1	T60015040	KE
		1	T60015003	KET KKE KSK
33	Hose connector (gas)	1	T60015062	KE
		1	T60015004	KET KKE KSK
34	Torch	1	T60010050	Except USA KE
	Torch	1	T60010051	USA only
	Torch	1	T60010055	KE only
35	Tip fixing nut	1	T80015032K	
36	Valve for jet oxygen	1	T60010056	With screw
37	Valve for preheat oxygen	1	T60015355	Except KE
		1	60015358	KE only
38	Valve for gas	1	T60015356	
39	Valve for jrt fort oxygen	1	60015401	Except KE
		1	60015402	KE only
40	O-ring	1	T80005026	
41	Rubber plug	1	T60030280	US
	Din plug	1	T95000741	DIN
42	Power cord	1	T98000021	KAB KE(42V-110V)
	Power cord	1	T98000023	200V-220V 50-60HZ
	Power cord	1	T98000024	KAR KSK
	Power cord	1	T98000029	KE
43	Metal plug (3P)	1	T6N100056	
	Metal plug 4P)	1	T6N100057	
44	Cable	1	T95001523	

IK-12 BEETLE

10.3 Two torch unit



IK-12 BEETLE

ITEM No.	PART NAME	QTY	STOCK No.	REMARKS
1	Torch holder assembly	2	T60031848	
2	Torch holder	2	T60031856	
3	Screw(SP-6 x 25)	2	T6C520625	
4	Torch up/down handle	2	T60030908	
5	Handle(40)	2	T60030223	
6	Pinion metal	2	T60030909	
7	Pinion	2	T60030910	
8	Spring pin (PR-2.5 x 16)	2	T6B022516	
9	Torch cross feed holder	2	T60031849	
10	Cross feed holder	2	T60031857	
11	Wing bolt	2	T60031877	
12	Crank handle	2	T60030313	
13	Cross feed pinion unit	2	T60031835	
14	Handle (40)	2	T60030223	
15	Pinion metal	2	T60030318	
16	Pinion	2	T60030319	
17	Spring pin(PR-2.5 x 16)	2	T6B022516	
18	Rack bar	1	T60031850	
19	Distributor	1	T60031852	Except USA, KE
	Distributor	1	T60031876	KE only
	Distributor	1	T60031853	USA only
20	Fitting	1	T60031854	
21	Weight Supporter	1	T60031855	
22	Screw(SM-5 x 55)	2	T6C510555	
23	Hexagen bolt(BH-10 x 35)	1	T6C011035	
24	Nut for oxygen	1	T60015001	KSK KKE KET
	Nut for oxygen	1	T60015056	KE only
25	Hose connector(ox)	1	T60015003	KSK KKE KET
	Hose connector(ox)	1	T60015040	KE only
26	Nut for gas	1	T60015002	KSK KKE KET

ITEM No.	PART NAME	QTY	STOCK No.	REMARKS
	Nut for gas	1	T60015054	KE only
27	Hose connector(gas)	1	T60015004	KSK KKE KET
	Hose connector(gas)	1	T60015002	KE only
28	Torch	2	T60010050	Except USA, KE
	Torch	2	T60010051	USA only
	Torch	2	T60010055	KE only
29	Weight	1	T60030381	
30	Hexagon bolt(BH-6 x 40)	2	T6C01064	
31	Hose for oxygen	1	T89000696	Except USA
	Hose for oxygen	1	T60030323-1	USA only
32	Hose for gas(AC)	1	T89000697	Except USA
	Hose for gas(AC)	1	T89000744	USA only
33	Hose for oxygen	1	T89000690	Except USA
	Hose for oxygen	1	T60030304-1	USA only
34	Hose for gas(AC)	1	T89000691	Except USA
	Hose for gas(AC)	1	T89000742	USA only
	Hose for gas(LPG)	1	T89000692	Except USA