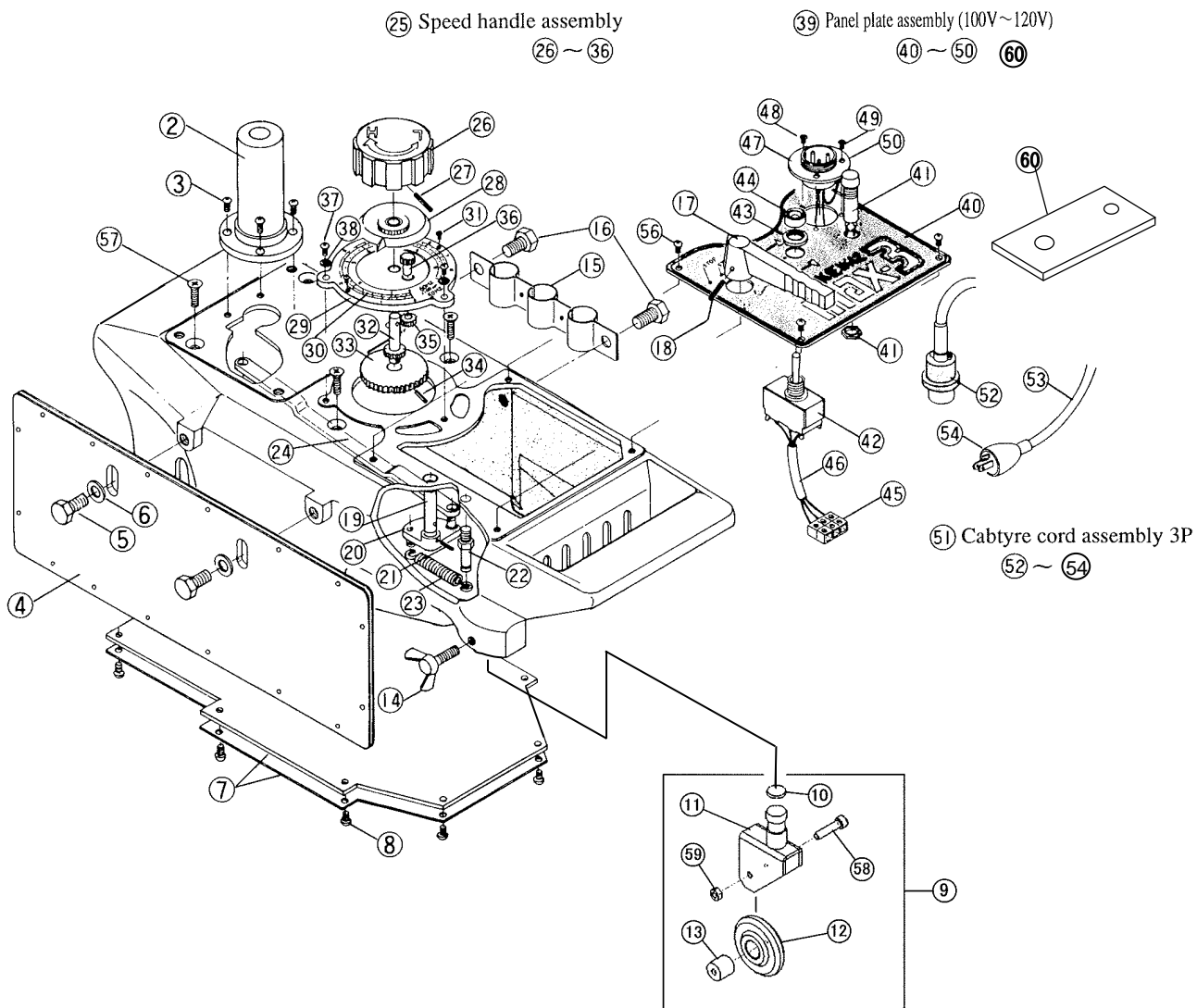


# 10 Parts list

## 10.1 Main units

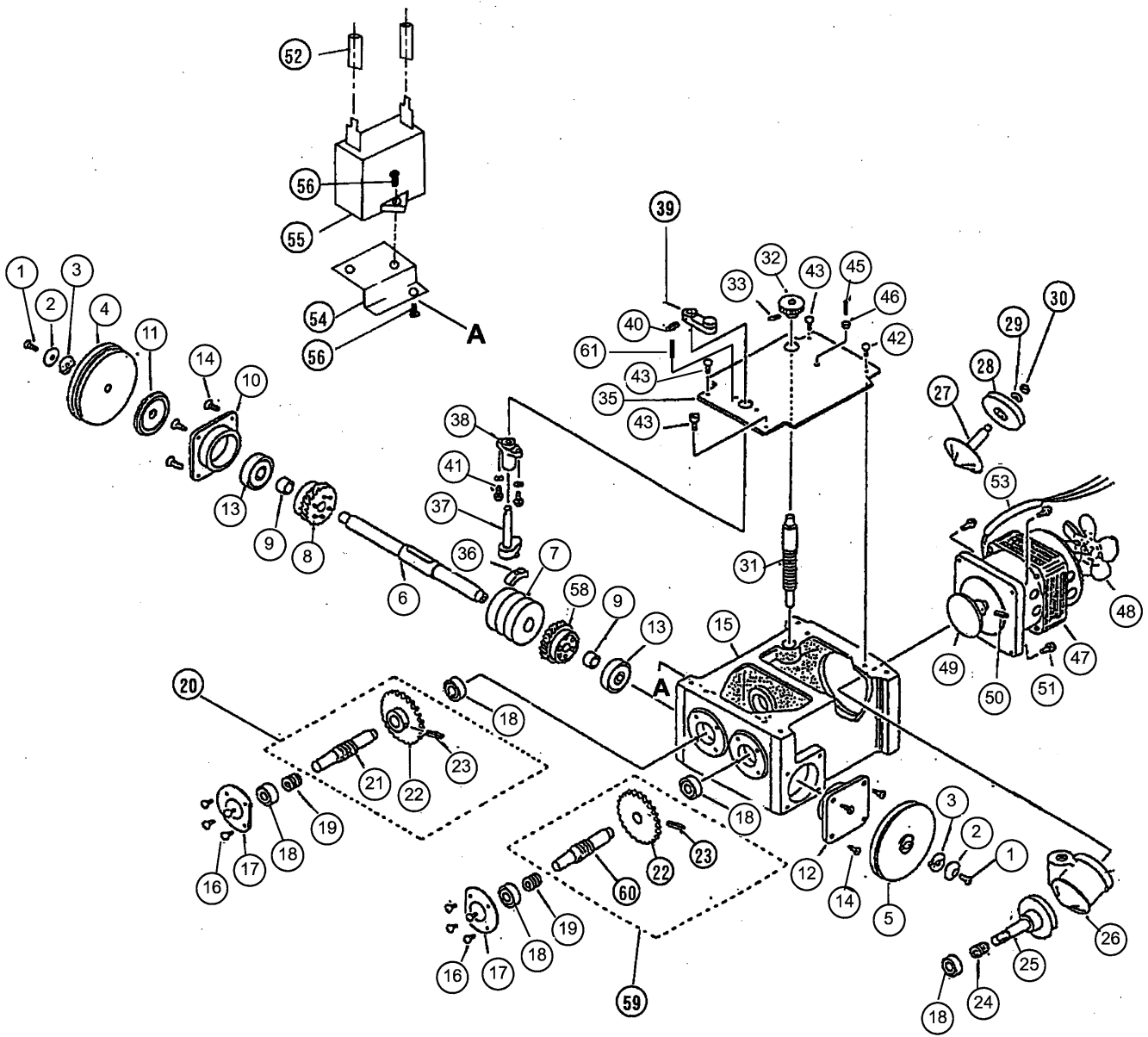


## Main units

ITEM No.	PART NAME	QTY	STOCK No.	REMARKS
2	Stand	1	60030204	
3	Screw	4	6C530515	SP-5x15 (with WS)
4	Heat shield	1	60032337	
5	Hexagon bolt	2	6C411020	BH-10x20 (With WF) ★
6	Washer	2	6D500100	WF-10
7	Bottom plate	1	60035002	
8	Screw	8	6C520410	SP-4x10
9	Idle wheel unit	1	60039350	
10	Set plate	1	60030211	
11	Body assembly	1	60039354	
12	Roller	1	60030213	
13	Idle wheel collar	1	60039352	
14	Wing bolt	1	6C120815	BS-8x15
15	Cutting tip support	1	60035003	
16	Hexagon bolt	2	6C411020	BH-10x20 (With WF) ★
17	Clutch handle	1	60039343	
18	Spring pin	1	6B022516	PR-2.5x16
19	Shaft	1	60030218	
20	Clutch	1	60030219	
21	Spring pin	1	6B022516	PR-2.5x16
22	Spring holding screw	1	60030221	With Hexagon nut
23	Spring	1	60030222	
24	Connecting bar	1	60030455	
25	Speed handle assembly	1	60035050	50Hz
	Speed handle assembly	(1)	61005301	60Hz
26	Speed handle	1	60035006	
27	Spring pin	1	6B022520	PR-2.5x20
28	Speed indication	1	60035007	
29	Transmission base	1	60035008	
30	Speed meter graduation	1	60035297	50Hz
	Speed meter graduation	(1)	60035298	60Hz
31	Screw	3	6C522605	SP-2.6x5
32	Pinion #3	1	60035010	
33	Pinion #2	1	60035052	
34	Spring Pin	1	6B022520	PR-2.5x20
35	Pinion #4	1	60035012	
36	Pinion #5	1	60035013	
37	Screw	3	6C520410	SP-4x10
38	Washer	3	6D500040	WF-4

ITEM No.	PART NAME	QTY	STOCK No.	REMARKS
39	Panel plate assembly (100V~120V)	1	61004441	Consists of Item 40~50(100v)
	Panel plate assembly (200V~240V)	1	61004442	Consists of Item 40~50(200v)
	Panel plate assembly (42V)	1	61004443	KE only
40	Panel plate	1	60035055	
	Panel plate (42V)	1	60035077	KE only
41	Neon glow lamp	1	60035016	100V~120V
	Neon glow lamp	1	60035023	200V~250V
	Lamp	1	60035062	42V KE Only
	Lamp holder	1	64000139	KE Only
42	Switch	1	60030283	100V~120V (DS-239)
	Switch	1	60031859	200V~240V 42V(S-33)
43	Dust protective nut	1	60035017	for DS-239
	Dust protective nut	1	60032480	for S-33
44	Dust protective cap	1	60032431	
45	Terminal	1	60031841	3P (100V~120V)
	Terminal	1	60031859	4P (200V~240,42V)
46	Tube	1	60035019	
47	Metal socket	1	6N100061	3P (100V~120,42V)
	Metal socket	1	6N100062	4P (200V~240V)
48	Screw	2	6C510306	SM-3x6
49	Screw	1	6C510308	SM-3x8
50	Nut	1	6D010030	NH-3
51	Cabtyre cord A'ssy (3P)	1	61004264	
	Cabtyre cord A'ssy (4P)	1	61004265	
	Cabtyre cord A'ssy (3P)	1	61004272	No plug type
	Cabtyre cord A'ssy (4P)	1	61004271	DIN type
	Cabtyre cord A'ssy (3P) CE type	1	61005385	KE only No plug type
	Cabtyre cord A'ssy (4P) CE type	1	61005384	KE only DIN type
52	Metal plug 3p	1	6N100056	
	Metal plug 4p	1	6N100057	
53	Cabtyre cord only (5M)	1	61004458	
	Cabtyre cord only (5M)	1	61005393	KE only CE type
54	Rubber plug	1	60030280	
	DIN plug	1	64000183	
56	Screw	4	6C520410	SP-4x10
57	Screw	4	6C510635	SM-6x35
58	Screw	1	6C030420	BC-4x20
59	U-nut	1	6D400003	M4
60	Insulating sheet	1	69000225	

## 10.2 Driving units



## Driving units

ITEM No.	PART NAME	QTY	STOCK No.	REMARKS
1	Screw	2	6C510515	SM-5x15
2	Round washer	2	60030241	
3	Fixing washer	2	60030242	
4	Guide wheel	1	60030243	
5	Idle wheel	1	60030244	
6	Drive wheel shaft	1	60030459	With key
7	Clutch	1	60030460	
8	Worm wheel assembly	1	60030247	
9	Collar	2	60030248	
10	Bearing cover(C)	1	60030249	
11	Bearing retainer	1	60030250	
12	Bearing cover(A)	1	60030251	
13	Bearing	2	6A036201	6201ZZ
14	Screw	8	6C510412	SM-4x12
15	Gear box case	1	60030461	
16	Screw	8	6C530412	SP-4x12 (With WS)
17	Bearing cover(B)	2	60030484	
18	Bearing	5	6A030608	608ZZ
19	Spring(A)	2	60030255	
20	Worm shaft assembly	1	60030465	
21	Worm	1	60035123	
22	Spar gear	2	60032303	
23	Spring pin	2	6B022520	PR-2.5x20
24	Spring(B)	1	60030257	
25	Ring #2 assembly	1	60030462	
26	Cone holder unit	1	60030259	
27	Cone shaft	1	60030260	
28	Ring #1	1	60030261	
29	Toothed lock washer	1	6D540060	
30	Jam nut	1	6D030060	NH-6
31	Speed adjusting shaft assembly	1	60030262	
32	Pinion gear	1	60035053	
33	Spring pin	1	6B022516	PR-2.5x16
35	Gear box case cover plate	1	60030485	
36	Slider	1	60030265	

ITEM No.	PART NAME	QTY	STOCK No.	REMARKS
37	Lever shaft	1	60030266	With enamel screw and nut
38	Lever metal	1	60030267	
39	Lever assembly	1	60030464	Consists of Item 39-1~39-5
39-1	Lever	1	60030477	
39-2	Screw	1	60030478	
39-3	Spring	1	60030479	
39-4	Steel Ball	1	60030480	
39-5	Hexagon nut	1	60030481	
40	Spring pin	1	6B022516	PR-2.5x16
41	Screw	2	6C530510	SP-5x10 (with WS)
42	Screw	1	6C520612	SP-6x12
43	Screw	3	6C520612	SP-6x12
	Spring washer	3	6D510060	WS-6
45	Set screw	1	6C540525	SS-5x25
46	Nut	1	6D010050	NH-5
47	Motor with disk	1	60035031	100V~120V
	Motor with disk	1	61006838	200V~240V
	Motor with disk	1	60035034	42V
48	Motor fan with screw	1	60035022	
49	Motor disk	1	60032302	
50	Spring pin	1	6B022514	PR-2.5x14
51	Screw	4	6C530415	SP-4x15 (with WS)
52	Fasten terminal	2	6R200001	★
53	Tube	1	60035019	
54	Condenser fixing plate	1	60032389	
55	Condenser	1	60035207	100V-120V
	Condenser	1	64000552	200V~240V
	Condenser	1	60035210	42V
56	Screw	2	6C570308	SP-3x8 (with WS,WF)
58	Worm wheel assembly	1	60030468	
59	Worm shaft assembly	1	60030469	
60	Worm	1	60035124	
61	Spring Pin	1	6B023018	PR-3x18