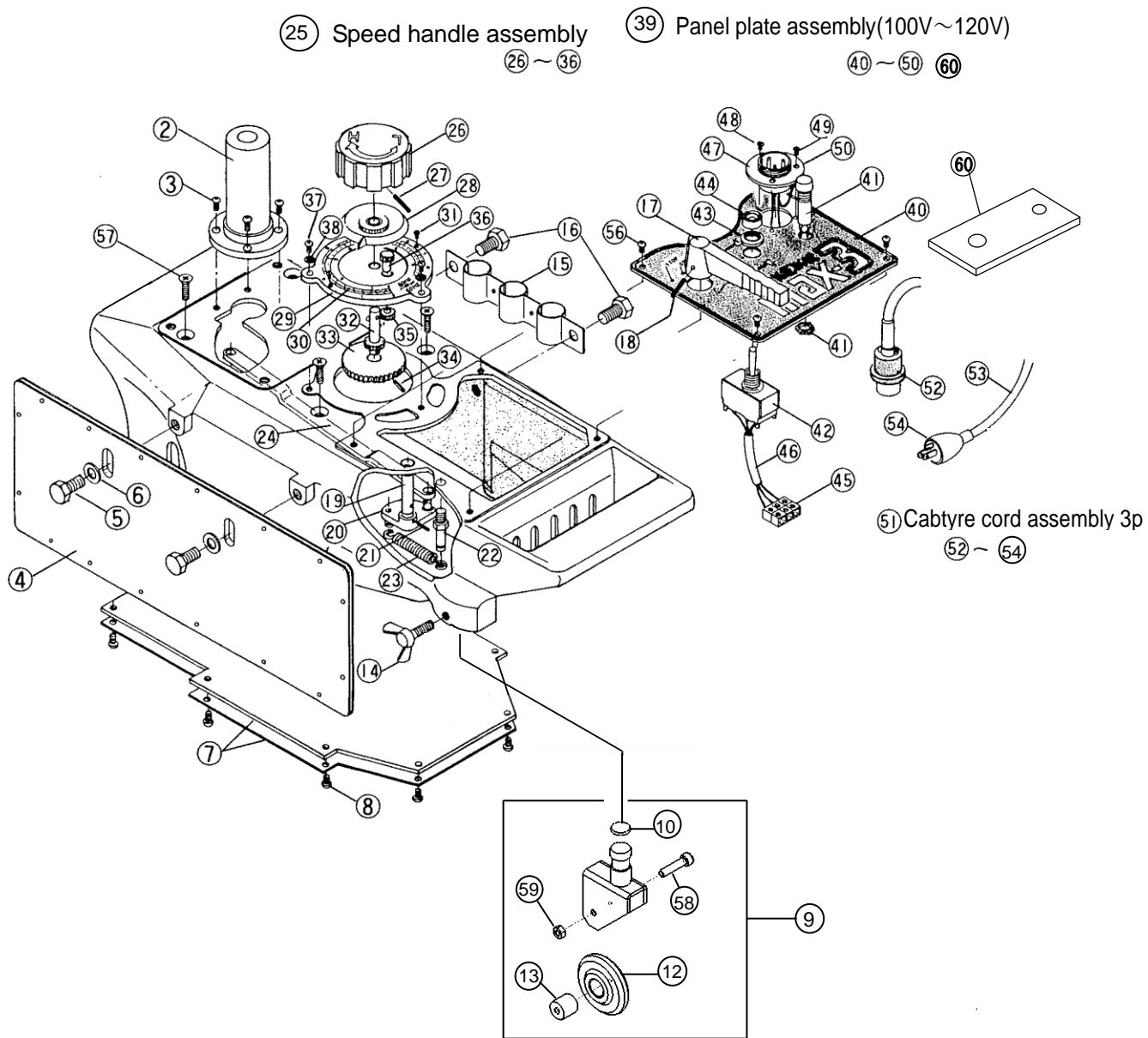


# 10 Parts list

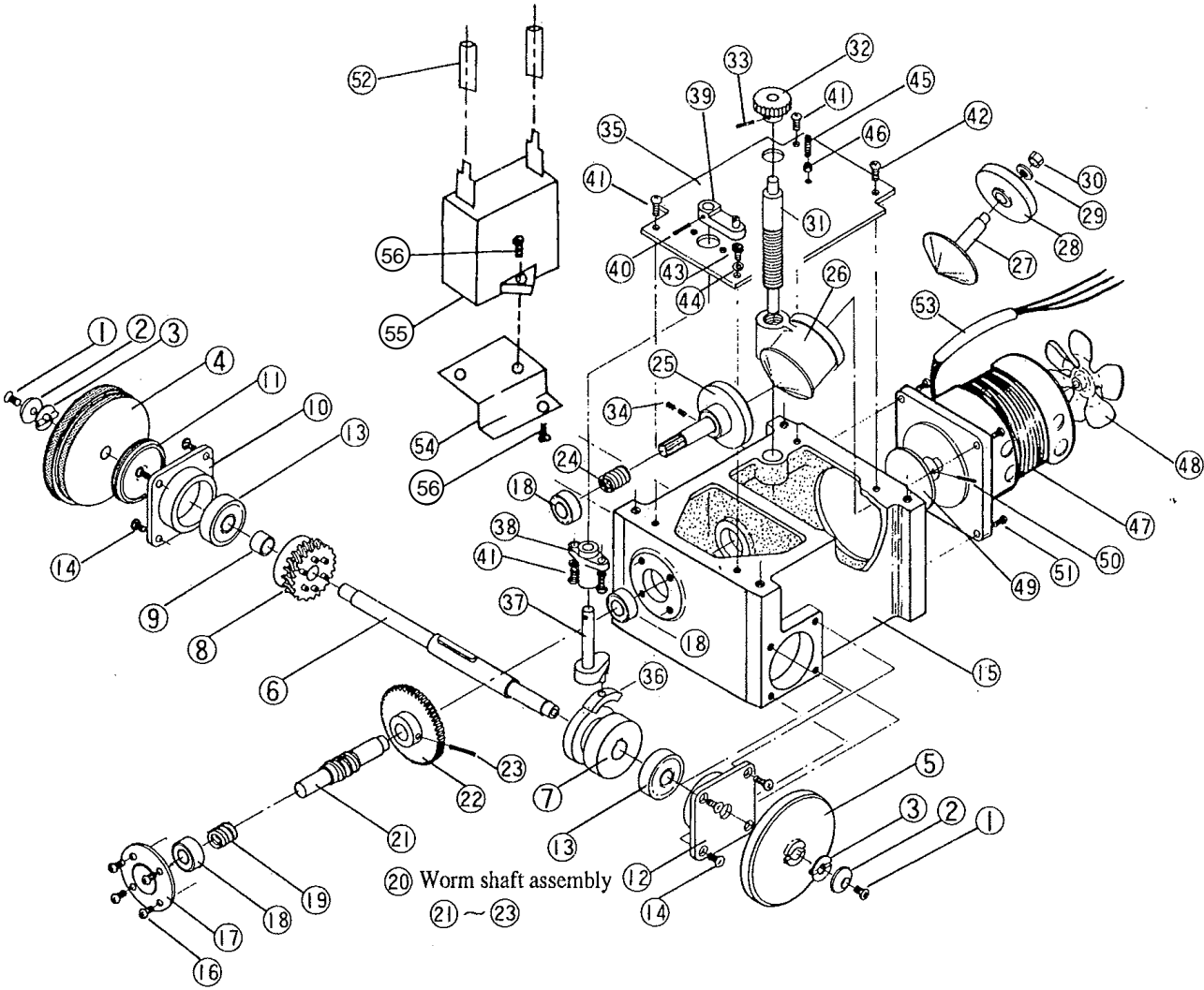
## 10.1 Main units



## Main units

ITEM No.	PART NAME	Qty	STOCK No.	REMARKS	ITEM No.	PART NAME	QTY	STOCK No.	REMARKS
2	Stand	1	60030204			Panel plate assembly(42V)	1	61004356	KE only
3	Screw	4	6C530515	With WS SP-5x15	40	Panel plate	1	60035015	
4	Heat shield	1	60032337			Panel plate	1	60035064	KE Only
5	Hexagon bolt	2	6C011020	BH-10x20	41	Neon glow lamp	1	60035016	100V~120V
6	Washer	2	6D500100	WF-10		Neon glow lamp	1	60035023	200V~250V
7	Bottom plate	1	60035002			Lamp	1	60035062	42V KE Only
8	Screw	8	6C520410	SP-4x10		Lamp holder	1	64000139	KE Only
9	Idle wheel unit	1	60039350		42	Switch	1	60030283	100V~120V (DS-239)
10	Set plate	1	60030211			Switch	1	60031859	200V~240V, 42V(S-33)
12	Roller	1	60030213		43	Dust protective nut	1	60035017	for DS-239
13	Idle wheel collar	1	60039352			Dust protective nut	1	60032480	For S-33
14	Wing bolt	1	6C120815	BS-8x15	44	Dust protective cap	1	60032431	
15	Cutting tip support	1	60035003		45	Terminal	1	60031841	3P 100V~120V
16	Hexagon bolt	2	6C011015	BH-10x15		Terminal	1	60030656	4P 200V~240,42V
17	Clutch handle	1	60039343		46	Tube	1	60035019	
18	Spring pin	1	6B022516	PR-2.5x16	47	Metal socket	1	6N100061	3P 100V~120,42V
19	Shaft	1	60030218			Metal socket	1	6N100062	4P 200V~240V
20	Clutch	1	60030219		48	Screw	2	6C500306	SF-3x6 ★
21	Spring pin	1	6B022516	PR-2.5x16	49	Screw	1	6C500308	SF-3x8 ★
22	Spring holding screw	1	60030221	With Hexagon nut	50	Nut	1	6D010030	NH-3
23	Spring	1	60030222		51	Cabtyre cord A'ssy (3P)	1	61004264	
24	Connecting bar	1	60030220			Cabtyre cord A'ssy (4P)	1	61004265	
25	Speed handle assembly	1	60035005	Consists of Item 26~36		Cabtyre cord A'ssy (3P)	1	61004272	No plug type
26	Speed handle	1	60035006			Cabtyre cord A'ssy (4P)	1	61004271	DIN type
27	Spring pin	1	6B022520	PR-2.5x20		Cabtyre cord A'ssy (3P) CEtype	1	61005385	KE Only No plug type
28	Speed indication	1	60035007			Cabtyre cord A'ssy (4P) CEtype	1	61005384	KE Only DIN type
29	Transmission base	1	60035008		52	Metal plug 3P	1	6N100056	
30	Speed meter graduation	1	60035009			Metal plug 4P	1	6N100057	
31	Screw	3	6C520265	SP-2.6x5	53	Cabtyre cord only (5M)	1	61004458	
32	Pinion #3	1	60035010			Cabtyre cord only (5M)	1	61005393	KE only CE type
33	Pinion #2	1	60035011		54	Rubber plug	1	60030280	
34	Spring pin	1	6B022520	PR-2.5x20		DIN plug	1	64000183	
35	Pinion #4	1	60035012		56	Screw	4	6C520410	SP-4x10
36	Pinion #5	1	60035013		57	Screw	4	6C510635	SM-6x35
37	Screw	3	6C520410	SP-4x10	58	Screw	1	6C030420	BC-4x20
38	Washer	3	6D500040	WF-4	59	U-nut	1	6D400003	M4
39	Panel plate assembly (100V~120V)	1	61004276	Consists of Item 40~50	60	Insulating sheet	1	69000225	
	Panel plate assembly (200V~240V)	1	61004279	Consists of Item 40~50					

### 10.2 Driving units



## Driving units

ITEM No.	PART NAME	QTY	STOCK No.	REMARKS
1	Screw	2	6C510515	SM-5x15
2	Round washer	2	60030241	
3	Fixing washer	2	60030242	
4	Guide wheel	1	60030243	
5	Idle wheel	1	60030244	
6	Drive wheel shaft	1	60030245	With key
7	Clutch	1	60030246	
8	Worm wheel assembly	1	60030247	
9	Collar	1	60030248	
10	Bearing cover(C)	1	60030249	
11	Bearing retainer	1	60030250	
12	Bearing cover(A)	1	60030251	
13	Bearing	2	6A036201	6201ZZ
14	Screw	8	6C510412	SM-4x12
15	Gear box case	1	60030253	
16	Screw	4	6C520412	SP-4x12
17	Bearing cover(B)	1	60030254	
18	Bearing	3	6A030608	608ZZ
19	Spring(A)	1	60030255	
20	Worm shaft assembly	1	60030256	
21	Worm	1	60035020	
22	Spar gear	1	60032303	
23	Spring Pin	1	6B022520	PR-2.5x20
24	Spring(B)	1	60030257	
25	Ring #2	1	60030258	
26	Cone holder unit	1	60030259	
27	Cone shaft	1	60030260	
28	Ring #1	1	60030261	
29	Toothed lock washer	1	6D540060	M6
30	Hexagon nut	1	6D030060	NH-6
31	Speed adjusting shaft assembly	1	60030262	
32	Pinion gear	1	60035021	

ITEM No.	PART NAME	QTY	STOCK No.	REMARKS
33	Spring Pin	1	6B022516	PR-2.5x16
34	Enamel screw	2	6C540405	SS-4x5
35	Gear box case cover plate	1	60030264	
36	Slider	1	60030265	
37	Lever shaft	1	60030266	With enamel Screw and nut
38	Lever metal	1	60030267	
39	Lever	1	61002356	
40	Spring Pin	1	6B022516	PR-2.5x16
41	Screw	4	6C530520	SP-5x20
42	Screw	1	6C520520	SP-5x20
43	Hexagon socket head	1	6C030512	BC-5x12
44	Spring washer	1	6D510050	WS-5
45	Set screw	1	6C540525	SS-5x25
46	Hexagon nut	1	6D010050	NH-5
47	Motor with disk	1	60035031	100V~120V
	Motor with disk	1	61006838	200V~240V
	Motor with disk	1	60035034	42V
48	Motor fan with screw	1	60035022	
49	Motor disk	1	60032302	
50	Spring Pin	1	6B022514	PR-2.5x14
51	Screw	4	6C530415	SP-4x15
52	Fasten terminals	2	6R200001	★
53	Tube	1	60035019	
54	Condenser fixing plate	1	60032389	
55	Condenser	1	60035207	100V~120V
	Condenser	1	64000552	200V~240V
	Condenser	1	60035210	42V
56	Screw	2	6C570308	SP-3x8(WF,WS)