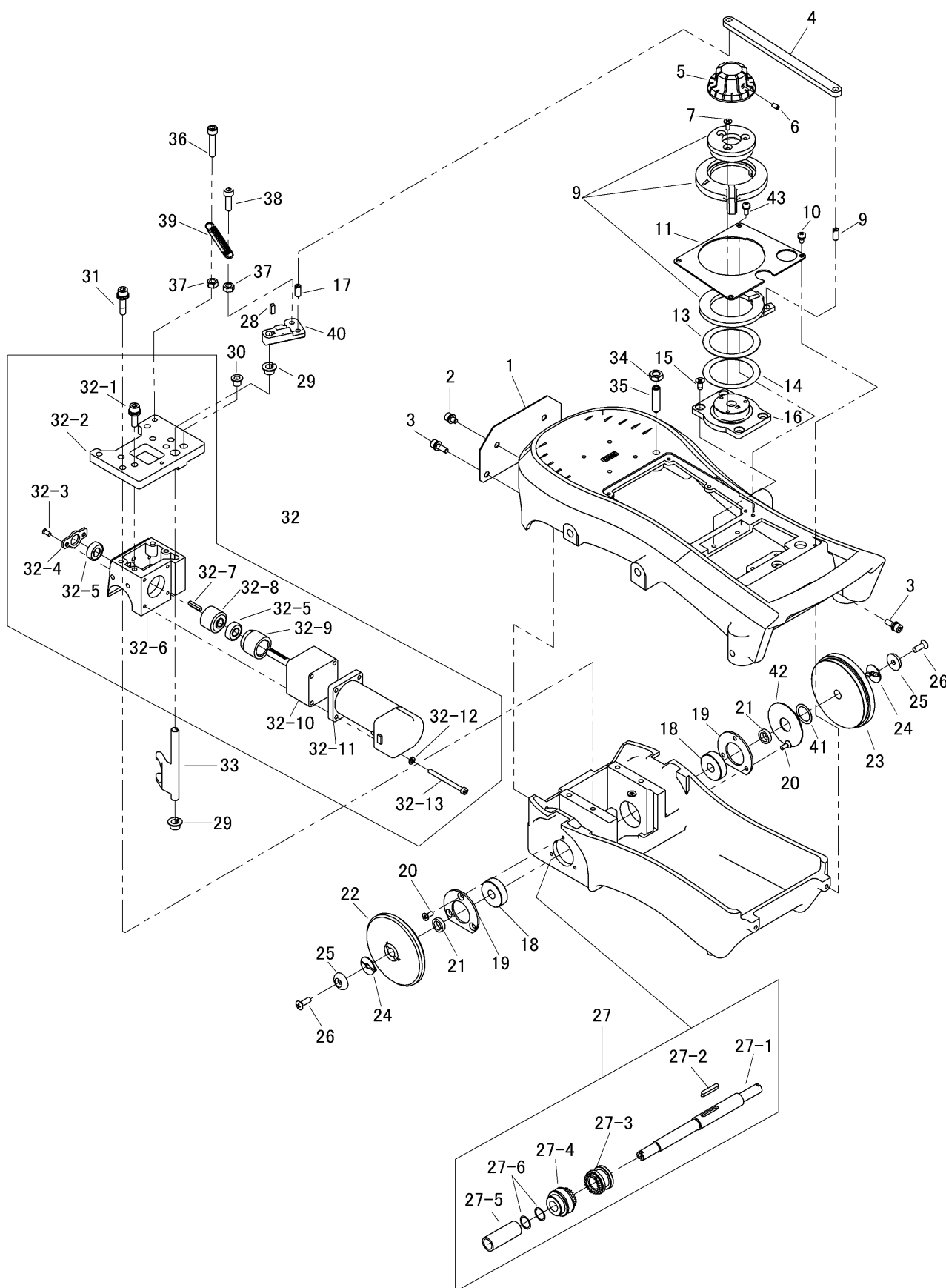


12 Parts list

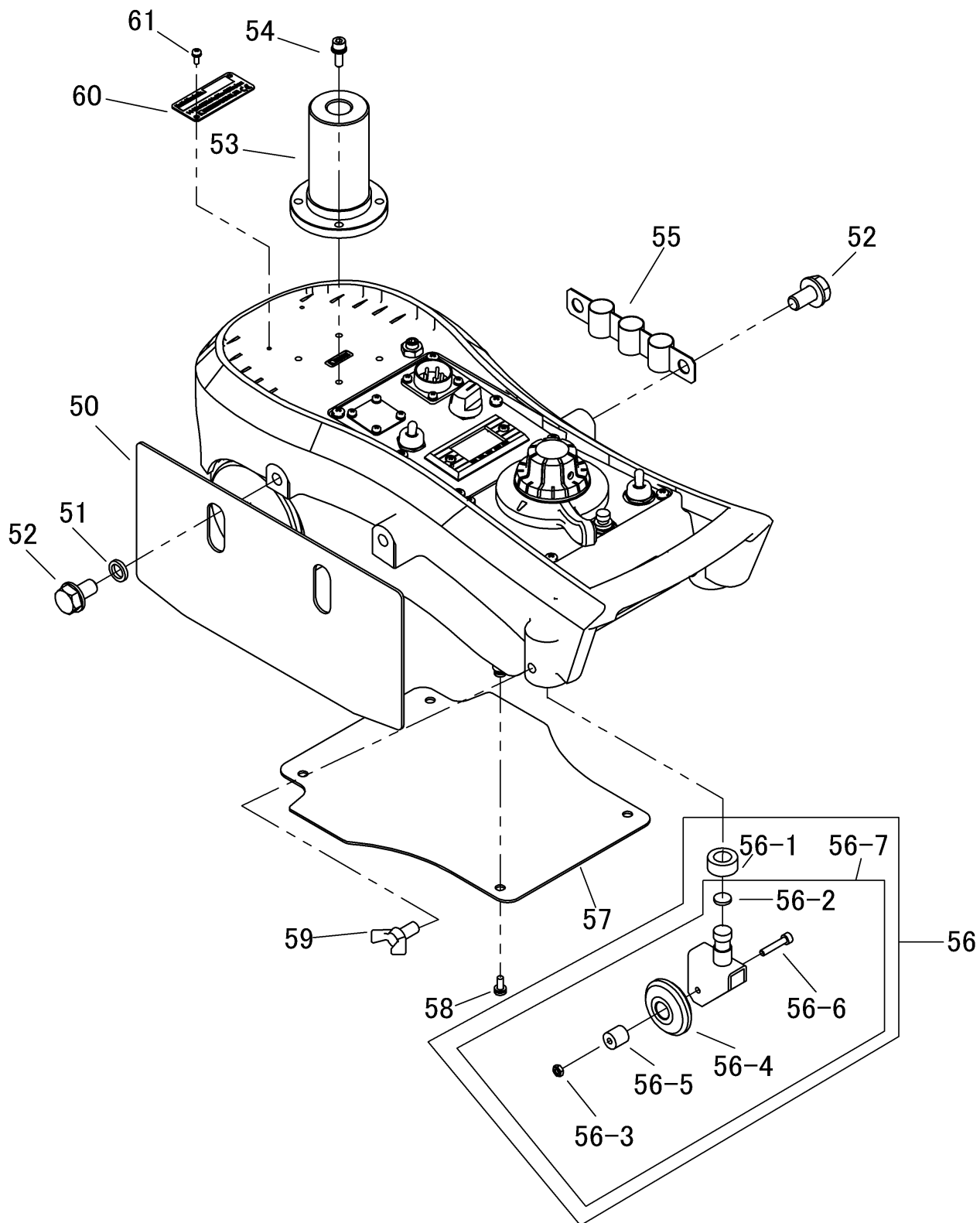
12.1 Main body and inside parts



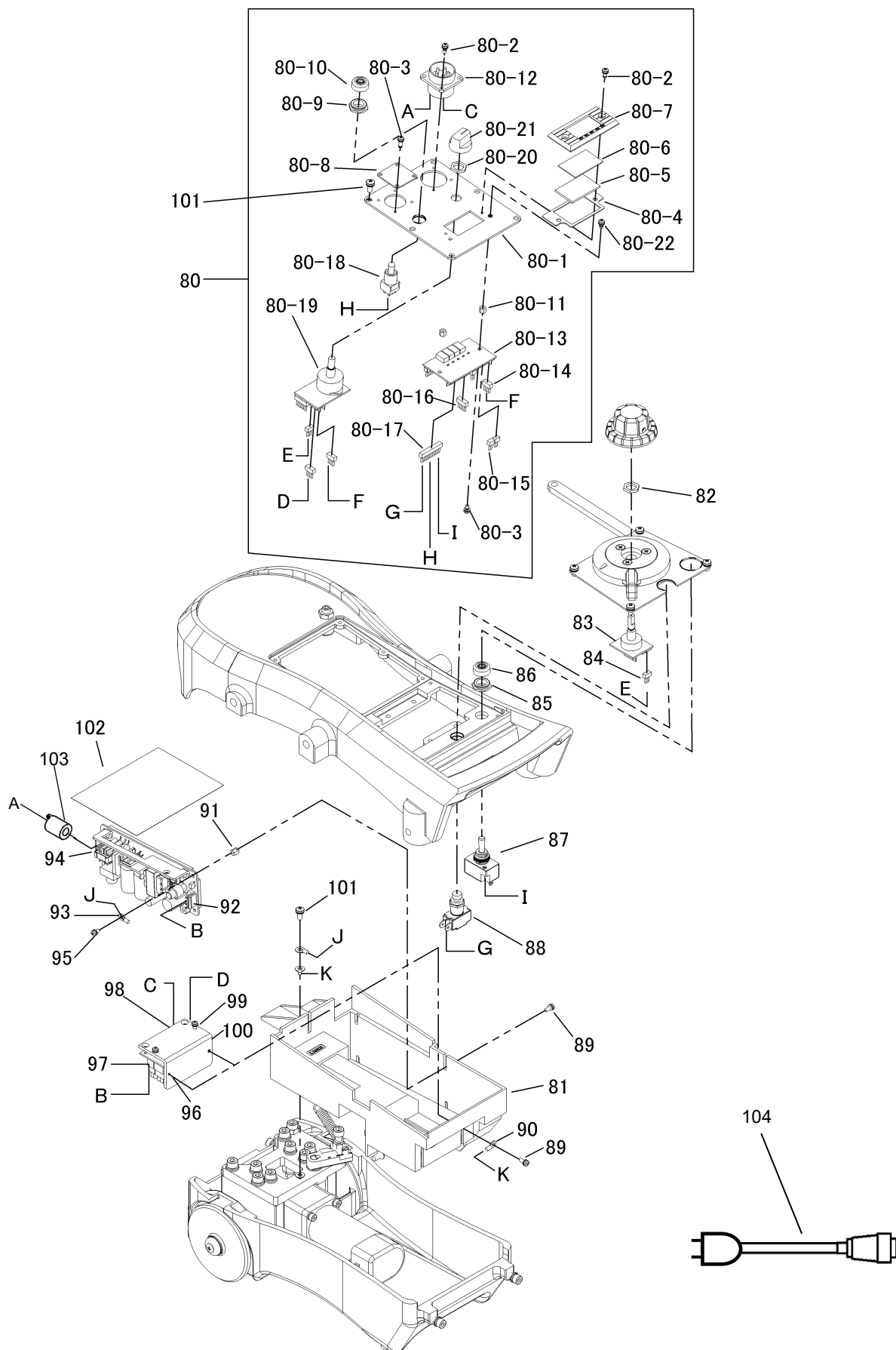
Main body and inside part

ITEM No.	PART NAME	QT Y	STOCK No	REMARKS	ITEM No.	PART NAME	QT Y	STOCK No	REMARKS
1	Cover	1	20506249		30	DU bush	1	6D710607	MB0607-12FDU
2	Hexagon socket head cap screw	2	6C450510	BC-5×10(WS,WF)	31	Hexagon socket head cap screw	4	6C450625	BC-6×25(WS,WF)
3	Hexagon socket head cap screw	4	6C450512	BC-5×15(WS,WF)	32	Gear box assembly	1	20506421	
4	Connecting bar	1	20506222		32-1	Hexagon socket head cap screw	4	6C450625	BC-6×20(WS,WF)
5	Speed dial	1	20506236		32-2	Gear box cover	1	20506229	
6	Hexagon socket setscrew	1	6C560408	SSS-4×8	32-3	Screw	2	20504669-Y	M4×8
7	Screw	3	6C500408	SF-4×8	32-4	Gear box bearing plate	1	20503579	
9	Clutch lever assembly	1	20507111		32-5	Bearing	2	6A030698	
10	Screw	3	6C570408	SP-4×8(WS,WF)	32-6	Gear box	1	20503565	
11	Speed plate	1	20506227		32-7	Key	1	20503768	
13	Clutch lever shim (0.2)	(1)	20506670		32-8	Worm gear	1	61007941	
14	Clutch lever shim (0.5)	(1)	20506245		32-9	Gear box bearing spacer	1	20503575	
15	Screw	4	6C500510	SF-5×12	32-10	Gear head	1	61007942	IG-43-KS5 1/49
16	Clutch lever base	1	20506242		32-11	Motor	1	61007939	With the pinion
17	Lever pin	1	60032325		32-12	Spring washer	4	6D510040	WS-4
18	Bearing	2	6A036200	6200ZZ	32-13	Hexagon socket head cap screw	4	6C030450	BC-4×50
19	Bearing plate	2	20503582		33	Clutch shaft	1	20506220	
20	Screw	6	6C500410	SF-4×10	34	Nut	1	6D030080	NH-8
21	Wheels spacer	2	20506246		35	Ball plunger	1	20506237	BST8AL
22	Idler wheel	1	60030244		36	Hexagon socket head cap screw	1	6C030630	BC-6×30
23	Drive wheel	1	60030243		37	Nut	2	6D030060	NH-6
24	Fixed washer	2	60030242		38	Hexagon socket head cap screw	1	6C030620	BC-6×20
25	Round washer	2	60030241		39	Spring	1	20506261	
26	Screw	2	6C510515	SM-5×15	40	Connecting bar B	1	20506224	
27	Drive shaft assembly	1	20506422		41	Wave shape washer	1	20509327-Y	W-16
27-1	Drive shaft	1	20506221		42	Metal washer	1	20509328	
27-2	Key for drive shaft	1	20513440-Y	★	43	Screw	1	6C570410	SP-4×10(WS,WF)
27-3	Clutch wheel	1	20506225						
27-4	Worm wheel	1	20506232						
27-5	Worm wheel spacer	1	20506228						
27-6	Wave shape washer	2	20509332	PACK-WVWS-V12-D14					
28	Key	1	20506247	4×4×10L					
29	DU bush	2	60038164	MB0806-15FDU					

12.2 Outside parts



12.3 Electrical parts



Electrical parts

ITEM No.	PART NAME	QTY	STPCK No	REMARKS	ITEM No.	PART NAME	QTY	STOCK No	REMARKS
80	Operation board assembly	1	20506436		88	Push button switch assembly	1	20506474	~switch harness plaiting
80-1	Operation name plate	1	20507065			Push button switch	1	60036249	SB-221
80-2	Screw	10	6C570308	SP-3×8(WS,WF)	89	Screw	5	6C570308	SP-3×8(WS,WF)
80-3	Screw	2	6C570305	SP-3×5(WS,WF)	90	Ground wire plaiting B	1	20506532	
80-4	Panel spacer	1	20506239		91	Spacer	4	20506525	ASB-306E
80-5	Acrylic plate	1	20503617		92	Power supply	1	64000511	ZWS50B-24/CO2
80-6	Glass	1	20503619		93	Ground wire plaiting A	1	20506531	
80-7	Glass support	1	20503588		94	Harness plaiting A	1	20506483	CN1~ Receptacle assembly
80-8	Operation plate cover	1	20506313		95	Screw	5	6C570306	SP-3×6(WS,WF)
80-9	Dustproof nut	1	60032480		96	L-MD-A substrate	1	20527359	With heat-resistant tape ★
80-10	Waterproof cap	1	60032431			Screw	2	6C570305	SP-3×5(WS、WF) ★
80-11	Spacer	2	60036469	SP-5	97	Harness plaiting B	1	20506482	CN51~ MD-CN1
80-12	Receptacle assembly	1	20506464	~Harness plaiting A ~Harness plaiting C	98	Harness plaiting C	1	20506481	MD-CN6~ Receptacle assembly
	Receptacle	1	64000510	NCS-255-R(square)	99	Harness plaiting D(4P~4P)	1	20506478	MD-CN3~ SW-CN2
80-13	L-DSP-A substrate	1	20508806		100	Terminating resistance assembly 4P	1	61006519	MD-CN2
80-14	Harness plaiting(4P~4P)	1	20506476	DSP-CN2~ SW-CN3	101	Screw	7	6C570410	SP-4×10(WS,WF)
80-15	Short circuit connector	1	20506479	DSP-CN7	102	Polycarbonate Plate	1	20507153	
	Short circuit connector	1	20506479	DSP-CN8	103	Clamp filter	4	20510607	
80-16	Terminating resistance assembly 5P	1	61006520	DSP-CN5	104	Power cable	1	20509299	
80-17	Switch harness plaiting	1	20506470	DSP-CN9 With arc selector switch					
80-18	Arc selector switch	(1)	6N110009						
80-19	L-SW-A(MAIN) substrate	1	20508811						
80-20	Nut (54D)	1	6D400001						
80-21	Knob	1	61005744	K-90-S					
80-22	Screw	2	6C570306	SP-3×6(WS,WF)					
81	e-box	1	20506231						
82	Nut(54D)	1	6D400001						
83	L-SW-A(MULTISWITCH) substrate	1	61006244						
84	Harness plaiting E (3P~3P)	1	20506477	SW-CN4~ ENC-CN4					
85	Dustproof nut	1	60032480						
86	Water proof cap	1	60032431						
87	Direction selector switch assembly	1	20506475	~switch harness plaiting					
	Direction selector switch	1	20506230	S-3A					