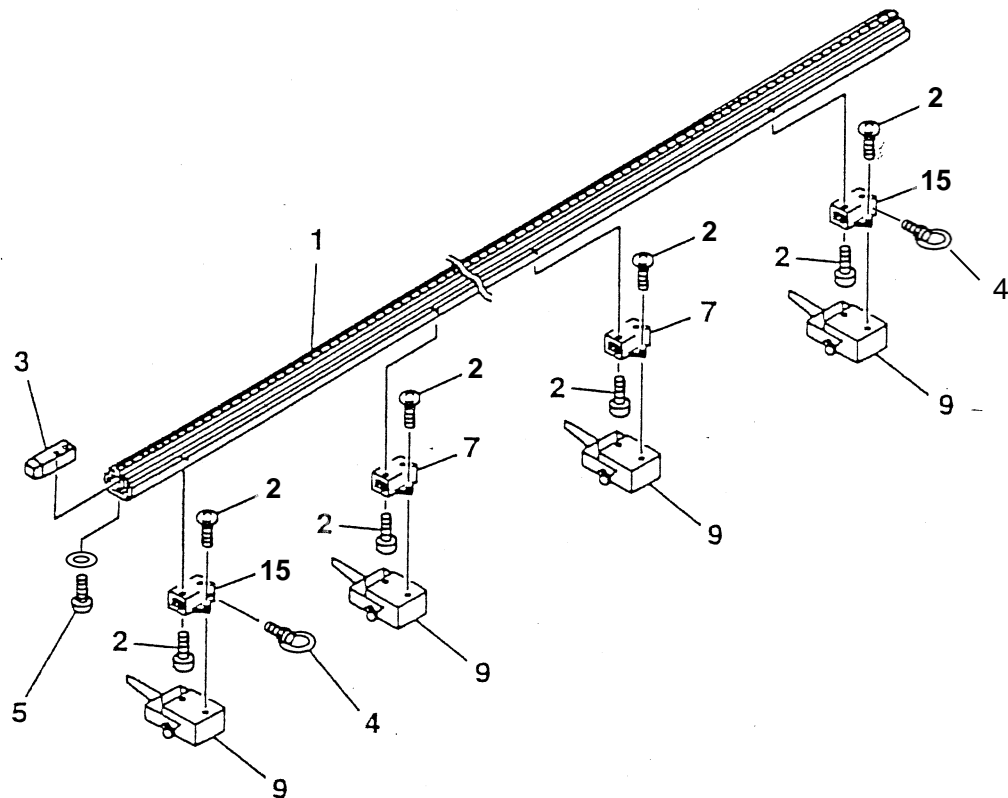


Rail unit

Straight rail



2,3 Dimension rail

