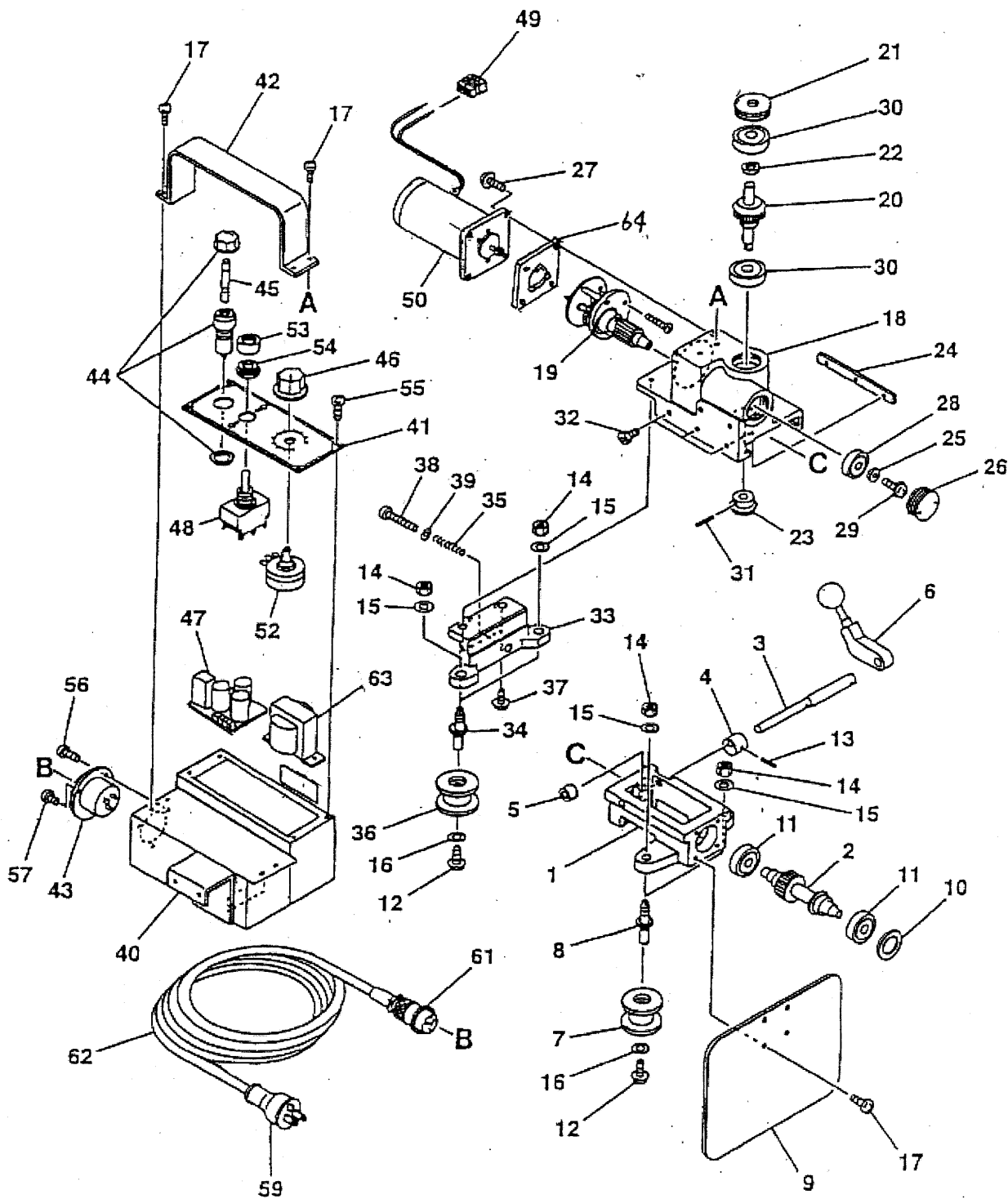


10 Parts list

10.1 Main and driving units

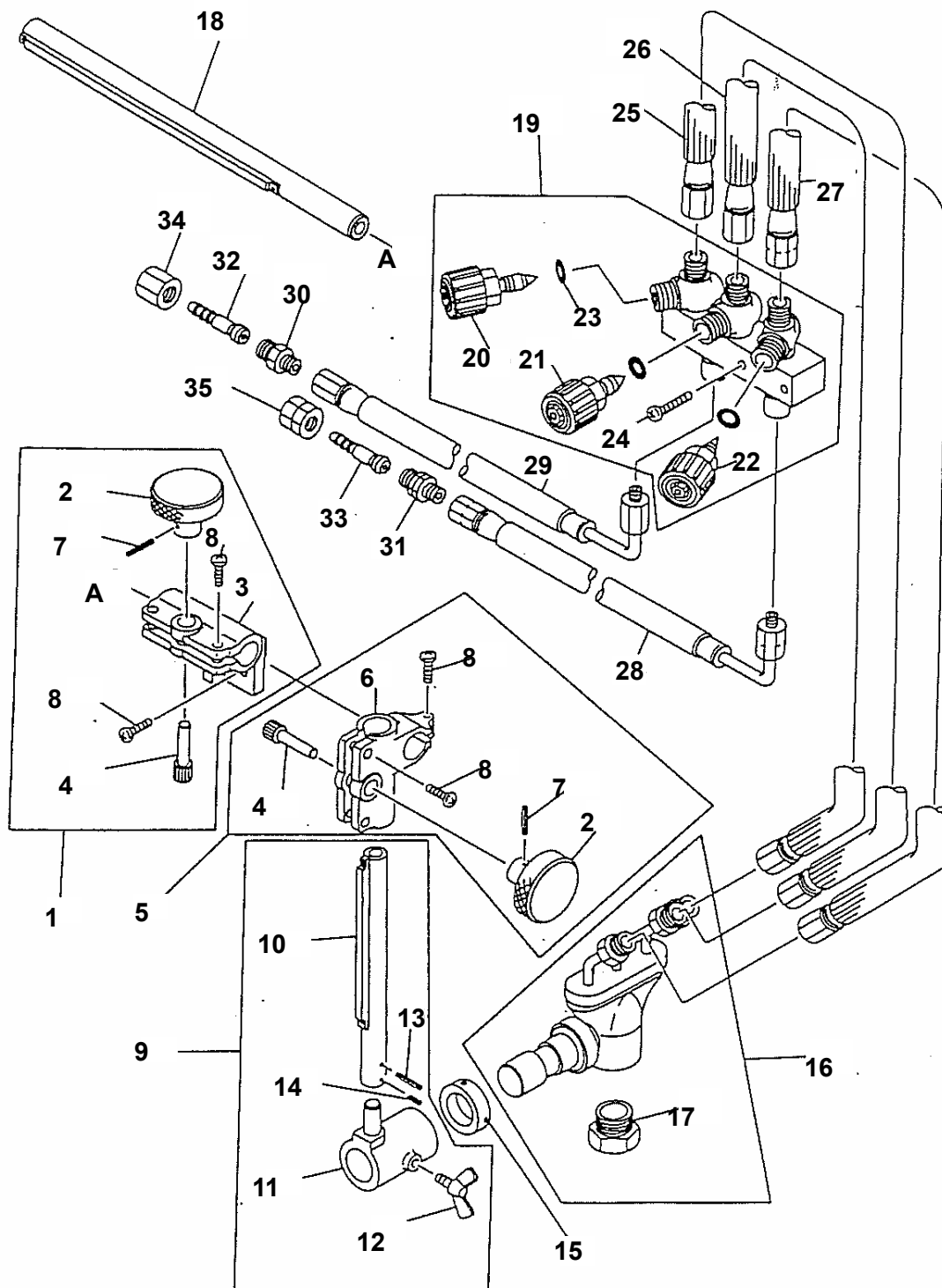


Main and driving units

ITEM NO.	PART NAME	QTY	STOCK NO.	REMARKS	ITEM NO.	PART NAME	QTY	STOCK NO.	REMARKS
1	Machine base	1	60031674		38	Hexagon bolt	1	6C030530	BC-5×30
2	Drive shaft assembly	1	60031606		39	Washer	1	6D500050	WF-5
3	Clutch shaft	1	60038839	★※1	40	Box	1	61000588	
4	Eccentric collar	1	60031608	★※1	41	Operation panel	1	61000566	
5	Stopper	1	60031609		42	Grip	1	60038832	
6	Clutch holder assembly	1	60031610	★※1	43	Metal socket	1	6N100062	NCS-254-R
7	Side roller assembly	2	60031611			Metal socket	1	6N100061	NCS-253-R
8	Side roller shaft(A)	2	60031612		44	Fuse holder	1	64000019	F-7150
9	Heat shield	1	60031629		45	Fuse	1	60030707	1A
10	Liner	1	60031684		46	Grip	1	60031249	K-2901D
11	Bearing	2	6A030627	627ZZ	47	Controller	1	69000130	
12	Screw	4	6C530306	SP-3×6 with WS	48	Switch	1	60035226	S-333
13	Spring pin	1	6B022012	PR-2×12	49	Terminal	1	60031666	2P
14	Nut	4	6D010060	NH-6	50	Motor(with pinion)	1	61007884	DC24V 5000RPM
15	Washer	4	6D500060	WF-6	52	Variable resister	1	60030745	50KΩ
16	Washer	4	6D500030	WF-3	53	Cap for dust protector	1	60032431	
17	Screw	8	6C520408	SP-4×8	54	Nut for dust protector	1	60032480	
18	Gear box	1	60031615		55	Screw	4	6C520306	SP-3×6
19	Gear assembly	1	61000715		56	Screw	1	6C510308	SM-3×8
20	Worm wheel assembly	1	60031617		57	Screw	1	6C510304	SM-3×4
21	Bearing retainer	1	60031618		59	Rubber plug	1	60030280	ME2538
22	Collar(A)	1	60031619			DIN plug	1	64000183	
23	Bevel gear (B)	1	60031620	★※1	61	Metal plug	1	6N100057	NCS-254-P
24	Slide key	1	60031621			Metal plug	1	6N100056	NCS-253-P
25	Washer	1	60031015		62	Cabtyre cord A'ssy(4p)	1	61004265	
26	Bearing retainer	1	60031014			Cabtyre cord A'ssy(3p)	1	61004264	
27	Screw	4	6C520418	SP-4×18		Cabtyre cord A'ssy(4p)	1	61004271	DIN type
28	Bearing	1	6A030627	627ZZ		Cabtyre cord A'ssy(3p)	1	61004272	No plug type
29	Screw	1	6C520408	SP-4×8		Cabtyre cord A'ssy(4p) CEtype	1	61005384	KE only DIN type
30	Bearing	2	6A030628	628ZZ		Cabtyre cord A'ssy(3p) CEtype	1	61005385	KE only No plug type
31	Spring pin	1	6B022516	PR-2.5×16	63	Transformer	1	61000472	100V-220V
32	Screw	3	6C540515	SS-5×15		Transformer	1	61000672	230V-240V
33	Side roller bracket	1	60031614			Transformer	1	61000473	42V
34	Side roller shaft(B)	2	60031613		64	Spacer	1	61000546	
35	Spring	1	60031676						

※1 It is necessary to drill holes and pin-hit with the actual product matching

10.2 Distribution and holder units



Distribution and holder units

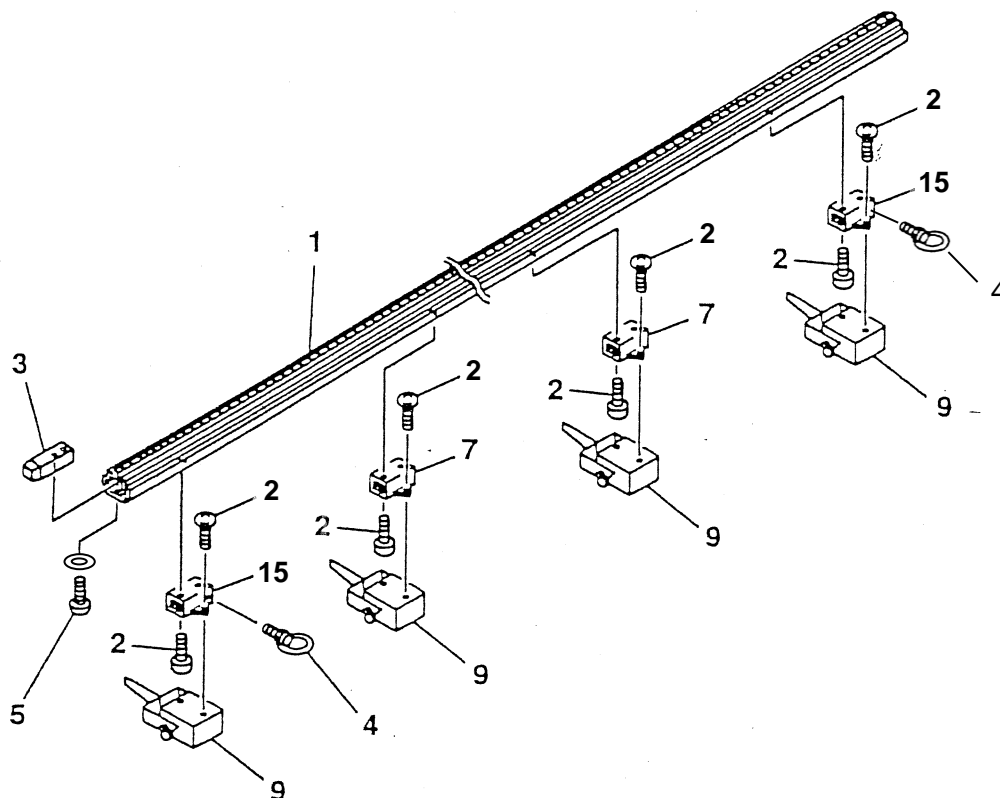
ITEM NO.	PART NAME	Q'T Y	STOCK NO.	REMARKS
1	Cross feed holder ass'y	1	60031632	
2	Handle	2	60031628	★※1
3	Cross feed base	1	61006774	With bush ★※1
4	Pinion	2	60031627	
5	Vertical slide holder ass'y	1	60032789	★※1
6	Vertical slide base	1	60031665	★※1
7	Spring pin	2	6B022012	PR-2×12
8	Screw	7	6C520516	SP-5×16
9	Torch holder ass'y	1	60031641	
10	Vertical bar ass'y	1	60031625	With rack
11	Torch holder base	1	60031624	
12	Wing bolt	1	6C120512	BS-5×12
13	Spring pin	1	6B022015	PR-2×15
14	Spring pin	1	6B022013	PR-2×13
15	Graduation ring	1	60030906	
16	Torch	1	60010301	Except USA, KE
	Torch	1	60010302	USA only
	Torch	1	60010303	KE only
17	Tip fixing nut	1	60005020	
18	Cross feed bar ass'y	1	60031626	With rack ★※1
19	Distributor	1	60031630	Except USA, KE
	Distributor	1	60031631	USA only
	Distributor	1	60013110	KE only
20	Valve for jet oxygen	1	60015351	Except KE
	Valve for jet oxygen	1	60015352	KE only
21	Valve for preheat oxygen	1	60015355	Except KE
	Valve for preheat oxygen	1	60015358	KE only
22	Valve for gas	1	60015356	
23	O-ring	3	60005026	
24	Screw	2	6C520425	SP-4x25
25	Hose for jet oxygen	1	60030305	Except USA, KE
	Hose for jet oxygen	1	60030304	USA only
	Hose for jet oxygen	1	60030305	KE only

ITEM NO.	PART NAME	Q'T Y	STOCK NO.	REMARKS
26	Hose for preheat oxygen	1	60030305	Except USA, KE
	Hose for preheat oxygen	1	60030304	USA only
27	Hose for gas (Red)	1	60030307	Except USA
	Hose for gas	1	60030308	USA only
	Hose for gas (Orange)	(1)	61001810	
28	Hose for gas (Red)	1	60031110	Except USA
	Hose for gas	1	60031111	USA only
	Hose for gas (Orange)	(1)	61001817	Except USA
29	Hose for oxygen	1	60031107	USA only
	Hose for oxygen	1	60031108	Except USA
30	Connection nipple for oxygen	1	60031001	Except USA
	Connection nipple for oxygen	1	60031002	USA only
31	Connection nipple for gas	1	60031003	Except USA
	Connection nipple for gas	1	60031004	USA only
32	Hose connector(OX)	1	60015003	Except USA
	Hose connector(OX)	1	60015040	KE only
33	Hose connector(GAS)	1	60015004	Except USA
	Hose connector(GAS)	1	60015062	KE only
34	Nut for oxygen	1	60015001	Except USA
	Nut for oxygen	1	60015056	KE only
35	Nut for gas	1	60015002	Except USA
	Nut for gas	1	60015054	KE only

※1 It is necessary to drill holes and pin-hit with the actual product matching

10.3 Rail unit

10.3.1 Straight rail



10.3.2 2,3 Dimension rail

