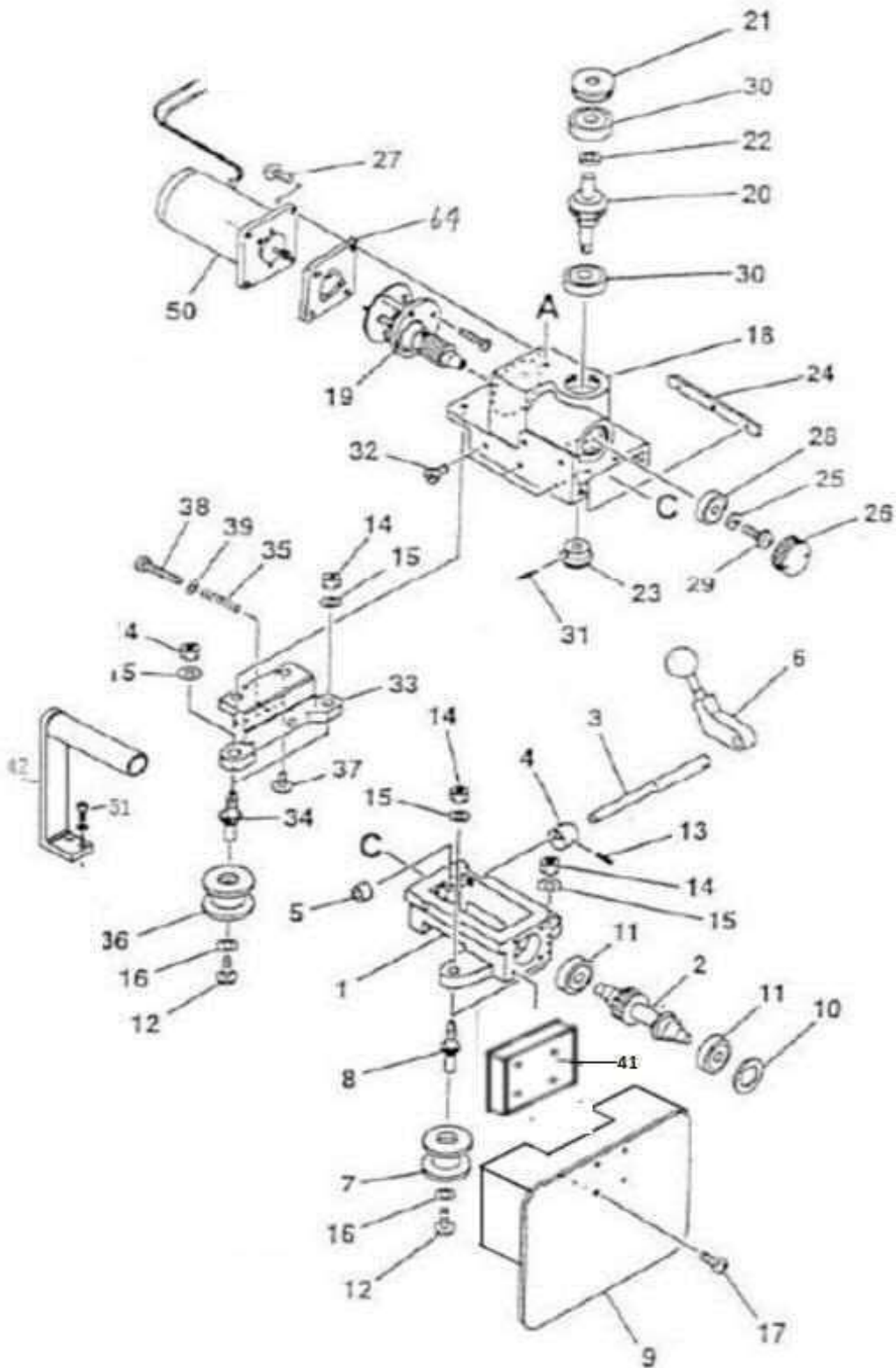


11、 Part List

11.1 Main and Driving units

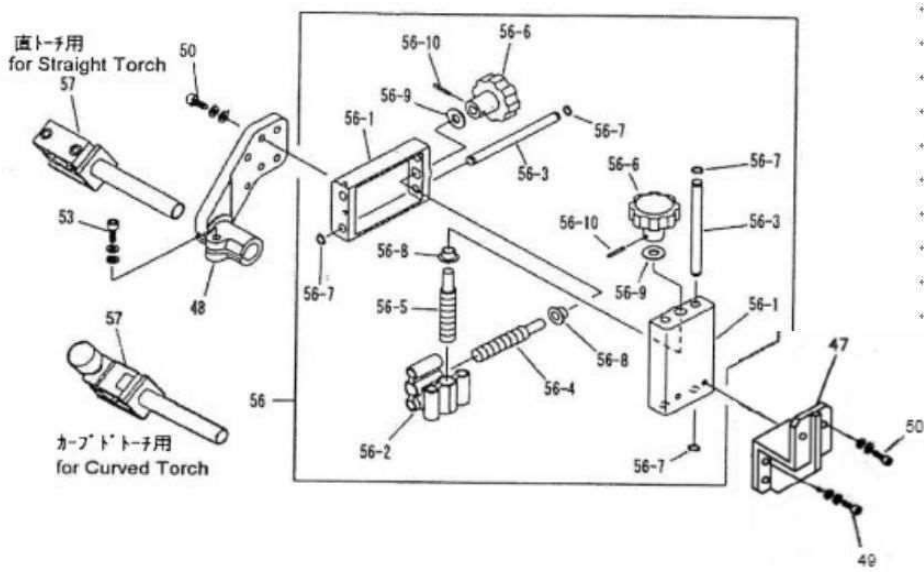


IK-72 WELDING

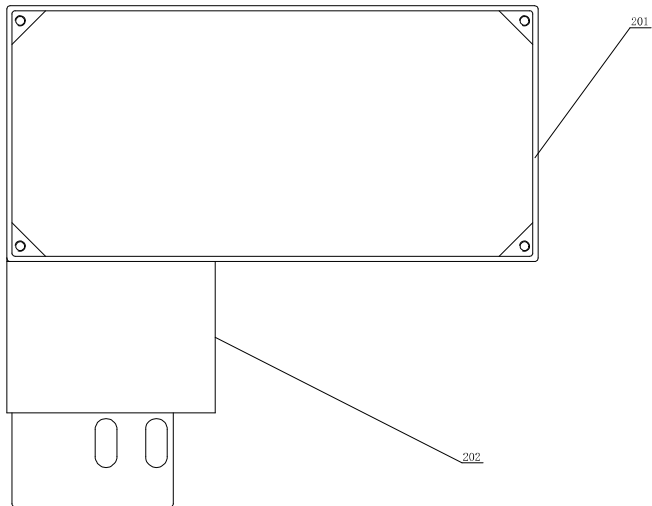
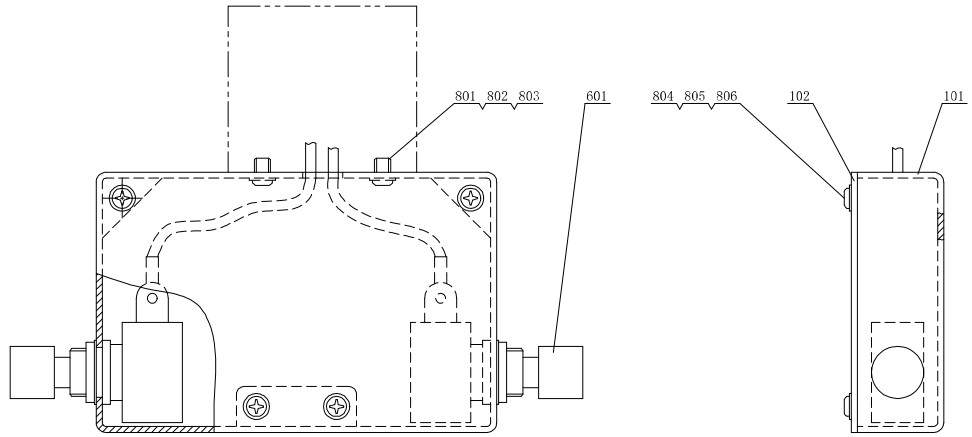
Main Body and driving unit

No.	Designation	QTY	Stock No.	Remarks	No.	Designation	QTY	Stock No.	Remarks
1	Main body	1	T60031674		38	Hexagon bolt	1	T6C030530	BC-5x30
2	Driving shaft assembly	1	T60031606						
3	Clutch shaft	1	T60038839	102L					
4	Eccentric ring	1	T60031608		41	Insulating board adjust	1	T89000612	
5	Stopper	1	T61000811		42	Handle	1	T61000601	
6	Clutch holder assembly	1	T60031610						
7	Side roller assembly	2	T60031611		50	Motor(with pinion)	1	T89002603	
8	Side roller shaft (A)	2	T60031612		51	Hexagon blot	2	T6C440620	BC-6x20(WS)
9	Heat shield	1	T89000497						
10	Collar ring	1	T89001535		64	Flange	1	30000242	
11	Bearing	2	T6A030627	627ZZ ★					
12	Screw	4	T6C530306	SP-3×6(WS)					
13	Spring	1	T6B022012	PR-2×12					
14	Hex nut	4	T6D010060	NH-6					
15	Washer	4	T6D500060	WF-6					
16	Washer	4	T6D500030	WF-3					
17	Screw	4	T6C520408	SP-4×8					
18	Gear box	1	T60031615						
19	Gear assembly	1	T61000715	With screw					
20	Worm wheel assembly	1	T60031617						
21	Bearing retainer	1	T60031618						
22	Collar(A)	1	T60031619						
23	Bevel gear (B)	1	T60031620						
24	sliding key	1	T60031621						
25	Washer	1	T60031015						
26	Bearing cover	1	T60031014						
27	Screw	4	T6C520416	SP-4×16					
28	Bearing	1	T6A030627	627ZZ ★					
29	Screw	1	T6C520408	SP-4×8					
30	Bearing	2	T6A030628	628ZZ ★					
31	Spring pin	1	T6B022516	PR-2.5×16					
32	Hexagonal stop screw	3	T6C540515	SS-5×15					
33	Side roller Bracket	1	T60031675						
34	Side roller shaft (B)	2	T60031613						
35	Spring	1	T60031676						
36	Side roller assembly	2	T60031611						
37	Screw	2	T6C530514	SP-5×14					

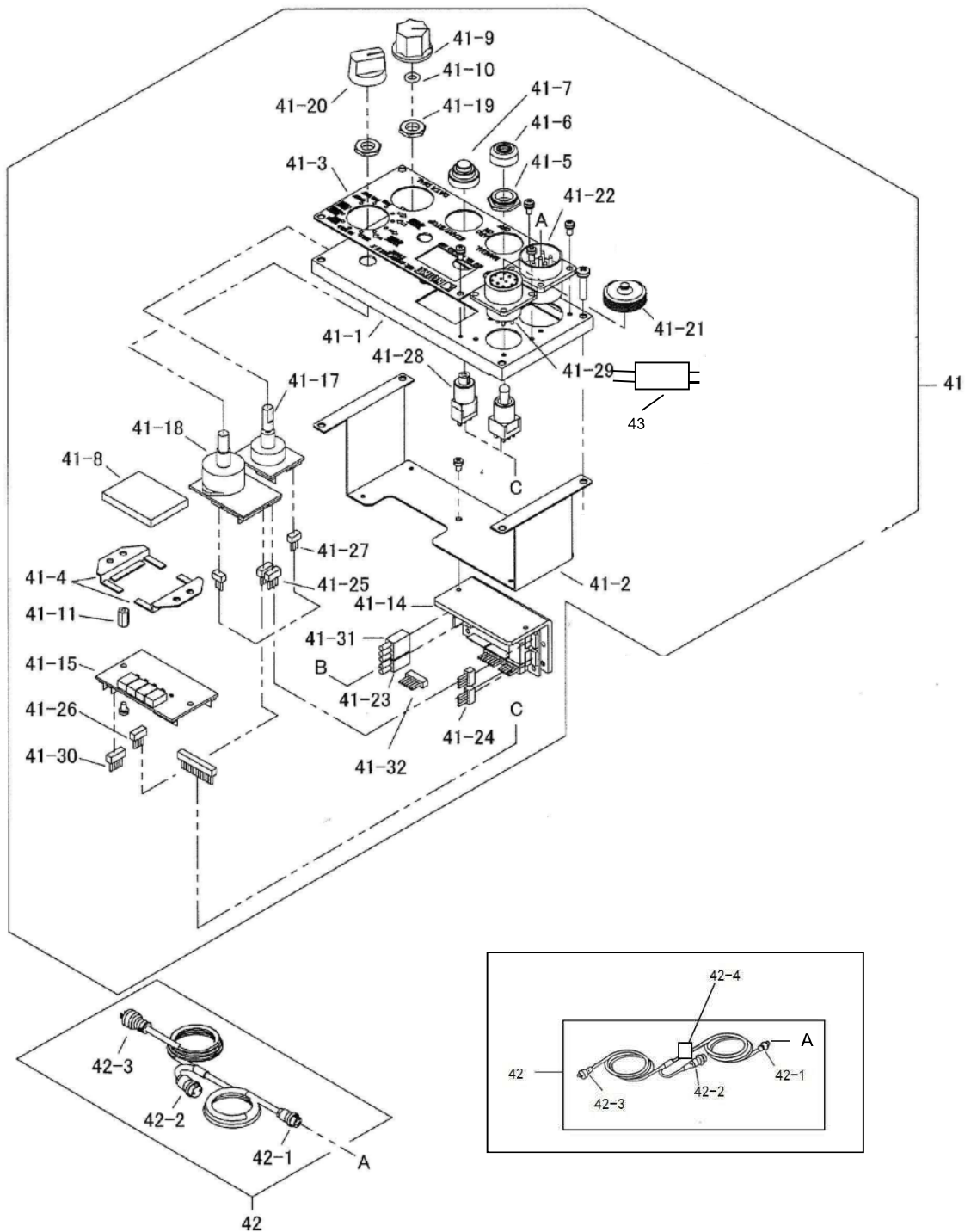
11.2 Torch holder



11.3 Limited



11.4 Electrical parts



IK-72 WELDING

Electrical parts

ITEM No.	PART NAME	QTY	STOCK No.	REMARKS
41	Operation panel assembly	1	T98000115	DC24V
41-1	Panel board	1	61006484	
41-2	Power bracket	1	61006512	
41-3	Name plate	1	61006513	
41-4	Glass pressing	2	61006450	
41-5	Dust proof nut	1	60032480	
41-6	Water proof cap	1	60032431	
41-7	Water proof cap	1	64000024	
41-8	Dark gray glass	1	61006298	
41-9	Nob	1	60031249	
41-10	O-ring	1	60036472	P-6
41-11	Spacer	2	64000497	Hexagon type M3 SP-10
41-12	Spacer (metal)	1	64000518	Hollow type M3 ER-7
41-13	Spacer(resin)	1	64000519	Hollow type M3 EP-7
41-14	L-MD-A circuit board	1	61006243	※1
41-15	L-DSP-A circuit board	1	61006246	※1
41-16	Power circuit board	1	64000511	50W
41-17	L-SW-A(MULTI SWITCH) circuit board	1	61006244	
41-18	L-SW-A(MAIN) circuit board	1	61006245	※1
41-19	Volume nut	2	6D400001	
41-20	Nob	1	61005744	K-90-S
41-21	Receptacle cap	1	64000525	NJC-20-Rca 70mm
41-22	Receptacle assembly	1	61006514	
	Socket	1	T95001733	NCS-256-R (角)
41-23	Output harness ass'y	1	61006505	CN51~MD-CN1 (4P~2P)
41-24	Terminal resistance	1	61006519	MD-CN2(4P)
41-25	Harness ass'y A(4P~4P)	1	61006508	MD-CN3~ SW(MAIN)-CN2
41-26	Harness ass'y B(4P~4P)	1	61006516	DSP-CN2~ SW(MAIN)-CN3
41-27	Harness ass'y C(3P~3P)	1	61006517	SW(MAIN)-CN4~ SW(MULTI)-CN4
41-28	Switch ass'y	1	61006518	DSP-CN9
	Pushbutton switch	1	60038204	MB2011L/B
	Toggle switch	1	6N110009	M-2029L/B
41-29	Receptacle ass'y	1	61006515	WU-5R side
	Receptacle	1	64000523	NJC-2010-RF

ITEM No.	PART NAME	QTY	STOCK No.	REMARKS
41-30	Terminal resistance	1	61006520	DSP-CN5 (5P)
41-31	Extension harness ass'y	1	61006506	Moter line
41-32	Extension harness ass'y	1	61006507	Encoder
42	Machine connection cable	1	T98000092	KE
	Machine connection cable	1	T98000187	KSK
	Machine connection cable	1	T98000188	KAR
	Machine connection cable	1	T98000189	KID
42-1	Plug	1	T95001709	NCS-256-P
42-2	Plug	1	T30000613	KE
	Plug	1	T30000614	KE
	Plug	1	T6N460013	STD
	Plug	1	T95000594	KAR
42-3	Machine connection cable	1	T95001801	NJC-204-ADM
	Power plug	1	T60030280	KAR KID
	Power plug	1	T95000741	KKE
42-4	Adapter	1	T98000186	Input AC100-240V Output DC24V
43	Filter	1	T95001086	

※1 During parts order, please inform the versions that are listed in the printed board.