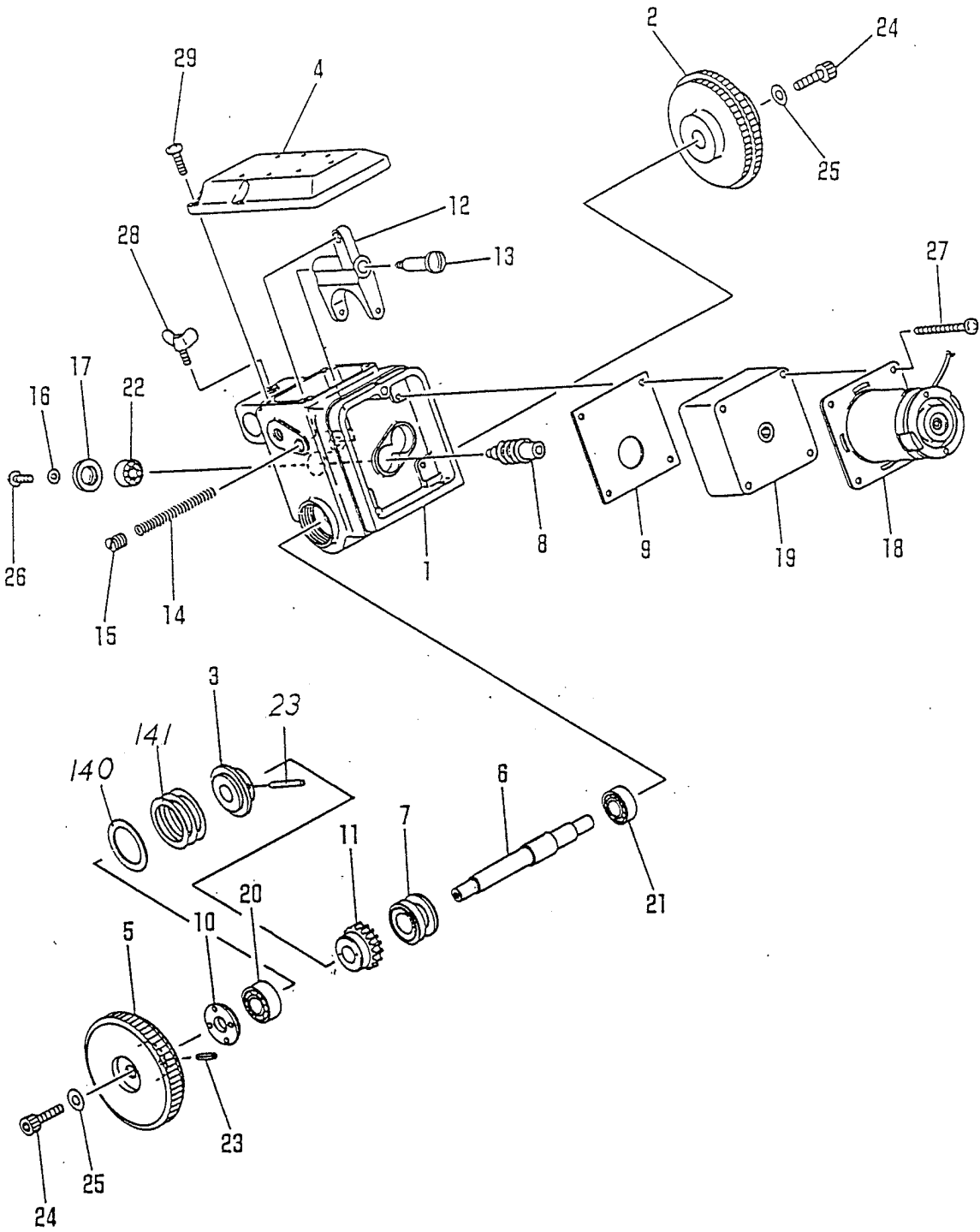


10 Parts List

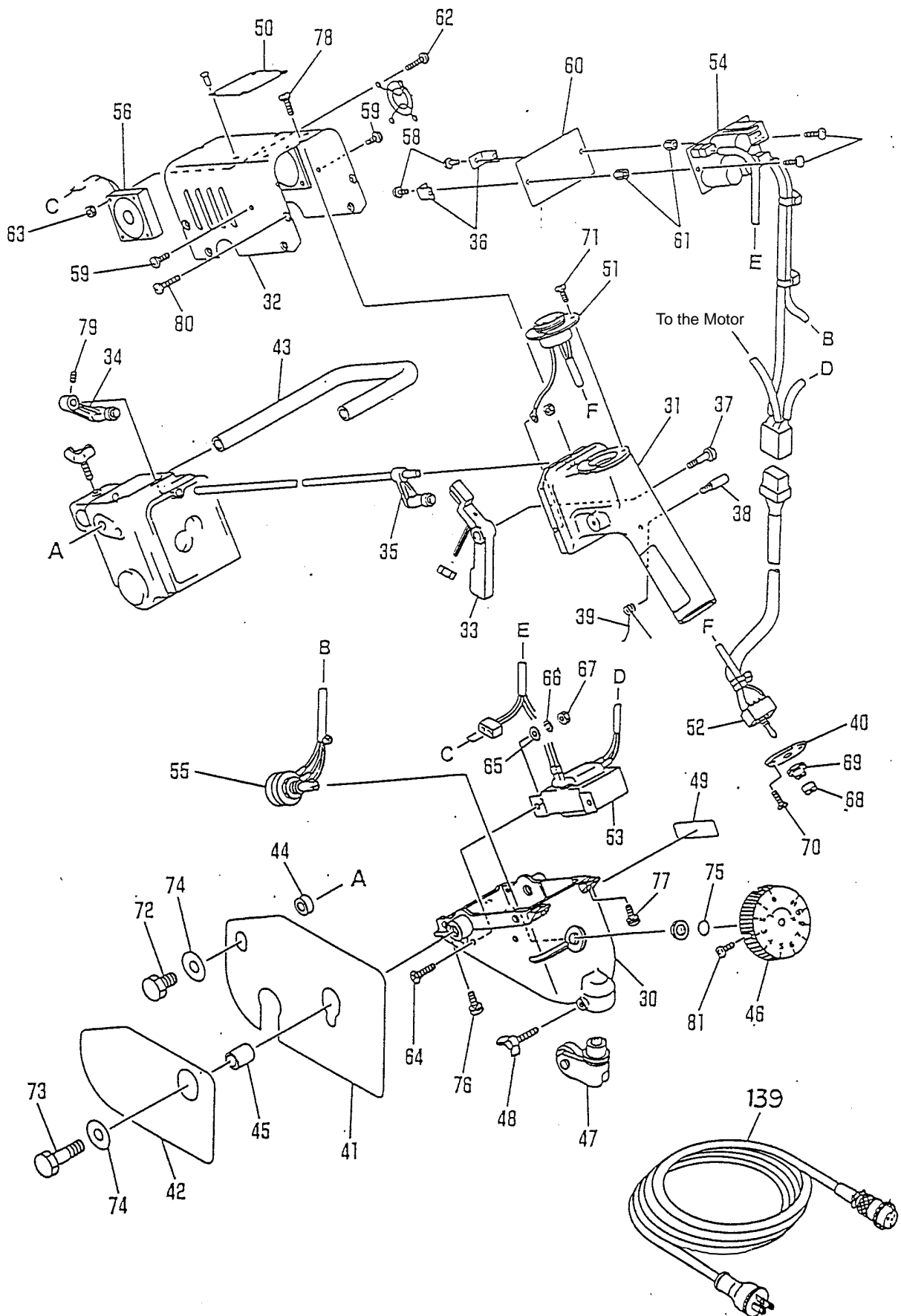
10.1 Drive unit



Drive unit

Item No.	Part name	Q'ty	Stock No.	Remarks
1	Gear box	1	60036801	
2	Idle wheel A'ssy	1	60036804	
3	Collar	1	60036806	
4	Gear box cover	1	60036818	
5	Drive wheel	1	60036401	
6	Drive shaft A'ssy	1	61005717	with key
7	Clutch (A)	1	60036404	
8	Worm gear	1	60036406	
9	Teflon packing	1	60036409	
10	Bearing retaining screw	1	60030516	
11	Worm Wheel A'ssy	1	60030518	
12	Clutch lever	1	60030528	
13	Clutch lever shaft	1	60030534	
14	Lever spring	1	60030530	
15	Spring retainers	2	60030531	
16	Washer	1	60031015	
17	Bearing retainer	1	60032591	
18	Motor	1	61002409	DME446HPB
19	Gear head	1	60036437	6H90
20	Bearing	1	6A036200	6200ZZ
21	Bearing	1	6A036000	6000ZZ
22	Bearing	1	6A030606	606ZZ
23	Spring pin	1	6B022518	PR-2.5x18
24	Hexagon bolt	2	6C030508	BC-5x8
25	Washer	2	6D500050	WF-5
26	Screw	1	6C520406	SP-4x6
27	Screw	4	6C530440	SP-4x40(WS)
28	Wing bolt	1	6C110612	BS-6x12
29	Screw	4	6C530412	SP-4x12(WS)
140	Washer	1	60036807	
141	Wave washer	2	60036966	

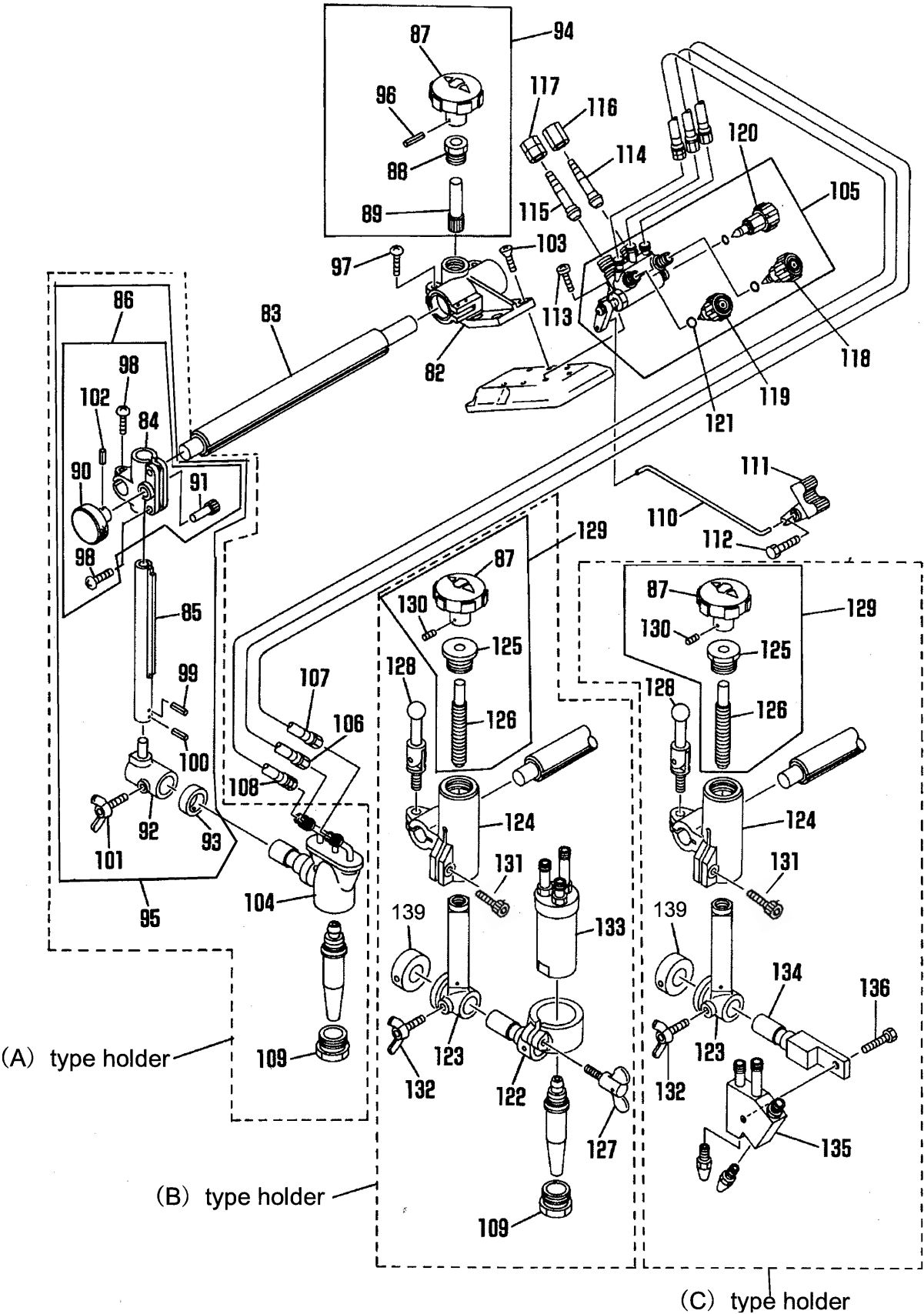
10.2 Main body and electric components



Main body and electric components

Item No.	Part name	Q'ty	Stock No.	Remarks
30	Lower casing	1	60036811	
31	Grip	1	60036812	
32	Cover	1	60036813	
33	Clutch lever	1	60036825	
34	Clutch joint A'ssy (A)	2	60036827	
35	Clutch joint A'ssy (B)	2	60036828	
36	Base plate mounting brackets	2	60036908	
37	Lever shaft	1	60036819	
38	Spring shaft	1	60036820	
39	Spring	1	60036821	
40	Switch mounting plate	1	60036822	
41	Inner heat shield	1	60036823	
42	Outer heat shield	1	60036824	
43	Handle	1	60036829	Option
44	Collar (I)	1	60036417	
45	Collar (II)	1	60036418	
46	Resistor handle	1	60036442	
47	Guide wheel A'ssy	1	60036870	
48	Wing bolt	1	6C110615	BS-6x15
49	Machine face plate	1		
50	Name plate	1		
51	Receptacle	1	6N100061	NCS-253-R
		1	6N100062	NCS-254-R
52	Power normal/reverse change-over switch	1	60036910	
53	Transformer	1	60036435	For 100V-220V
		1	60036441	For 42V
		1	60036439	For 230V-240V
54	Controller	1	60036436	KO-0907
55	Speed-setting VR	1	60036440	RV24YN20SB55K
56	93 Fan assembly	1	61002410	With fan Guard ★
58	Screw	4	6C520305	SP-3x5
	Washer	4	6D500030	WS-3
59	Screw	2	6C630306	SP-3x6
60	Guard plate	1	60036909	
61	Spacers	2	60036911	
62	Screw	4	6C520312	SP-3x12
63	Nut	4	6D010030	NH-3
64	Screw	2	6C520415	SP-4x15
65	Washer	2	6D500040	WF-4
66	Washer	2	6D510040	WS-4
67	Nut	2	6D010040	NH-4
68	Dust protective cap	1	60032431	
69	Dust protective nut	1	60032480	
70	Screw	2	6C510310	SM-3x10
71	Screw	3	6C510306	SM-3x6
72	Hexagon bolt	1	6C011015	BH-10x15
73	Hexagon bolt	1	6C011030	BH-10x30
74	Washer	1	6D500100	WF-10
75	O-ring	1	60036472	P-6
76	Screw	2	6C530515	SP-5x15(W.S)
77	Screw	2	6C530412	SP-4x12(W.S)
78	Screw	9	6C670406	SM-4x6
79	Screw	1	6C540405	SS-4x5
80	Screw	2	6C520408	SP-4x8
81	Screw	1	6C670406	SM-4x6
139	Cabtyre cord A'ssy(3P)	1	61004264	
	Cabtyre cord A'ssy(4P)	1	61004265	
	Cabtyre cord A'ssy(4P)	1	61004271	DIN type
	Cabtyre cord A'ssy(3P)	1	61004272	No plug type
	Cabtyre cord A'ssy(4P) CEtype	1	61005384	KE only DIN type
	Cabtyre cord A'ssy(3P) CEtype	1	61005385	KE only No plug type

10.3 Holder and distributing components



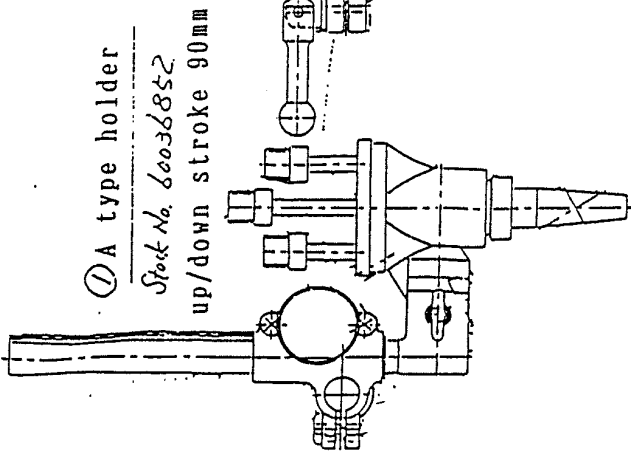
Holder and distributing components

Item No.	Part name	Q'ty	Stock No.	Remarks
82	Cross-feed table A'ssy	1	60036848	
83	Cross-bar	1	60036849	
84	Vertical holder	2	60036845	
85	Vertical piping A'ssy	1	60036851	
86	Vertical holder A'ssy	1	60036850	(A) type holder
87	φ 40 handle	1	60030223	
88	φ 14 pinion metal	1	60030557	
89	Cross-feed pinion	1	60030558	
90	Handle	1	60031628	
91	Pinion	1	60031627	
92	Torch holder	1	60031624	
93	Calibration collar	1	60030906	
94	Cross-feed handle A'ssy	1	60030556	
95	Torch holder A'ssy	1	60036852	(A) type holder
96	Spring pin	1	6B022516	PR-2.5x16
97	(+) Pan head small Phillips screws	2	6C520514	SP-5x14
98	Hexagon bolt	3	6C030515	BC-5 x15
99	Spring pin	1	6B022013	PR-2x13
100	Spring pin	1	6B022013	PR-2x13
101	Wing bolt	1	6C110512	BS-5x12
102	Spring pin	1	6B022013	PR-2x13
103	Oval countersunk screws	4	6C510515	SF-5x15
104	Torch	1	60010301	
		1	60010303	For KE
105	Distributor A'ssy	1	60036880	
			60036883	For KE
106	J.OX hose (Blue)	1	60030305	600L
107	P.OX hose (Blue)	1	60030305	600L
108	FG hose (Red)	1	60030307	600L
	FG hose (Orange)	1	61001810	600L
109	Nozzle tightening nut	1	60005020	
110	Lever rod	1	60036881	
111	Jet lever	1	60030561	
112	Jet lever shaft	1	60030562	SP-5 x15
113	(+) round screws	3	6C520515	
114	Hose entry (OX)	1	60015003	
115	Hose entry (Gas)	1	60015004	
116	Nut (OX)	1	60015001	
117	Nut (GAS)	1	60015002	
118	P.OX valve A'ssy	1	60015255	
		1	60015258	For KE
119	Gas valve A'ssy	1	60015256	
		1	60015256	For KE
120	J.OX valve A'ssy	1	60015254	
		1	60015258	For KE
121	O-rings	3	60005026	
122	Torch holder	1	60036924	
123	Holder support	1	60036925	
124	Support base	1	60030566	
125	Square thread metal	1	60030564	
126	Square thread	1	60030565	
127	Wing bolt	1	60030392	
128	Bent handle	1	60030313	
129	Vertical handle A'ssy	1	60030563	
130	Spring pin	1	6B022516	PR-2.5x16
131	Hexagon bolt	1	6C030615	BC-6 x15
132	Wing bolt	1	6C110615	BS-6 x15
133	Torch	1	60010601	
			60010606	For KE
134	German torch support	1	60036944	
135	torch	1	60010604	Propane gas
136	Hexagon head bolt	1	6C010616	BH-6 x16
137	Torch holder A'ssy	1	60036926	※ 1
138	German torch holder A'ssy	1	60036942	※ 2
139	Calibration collar	1	60030568	

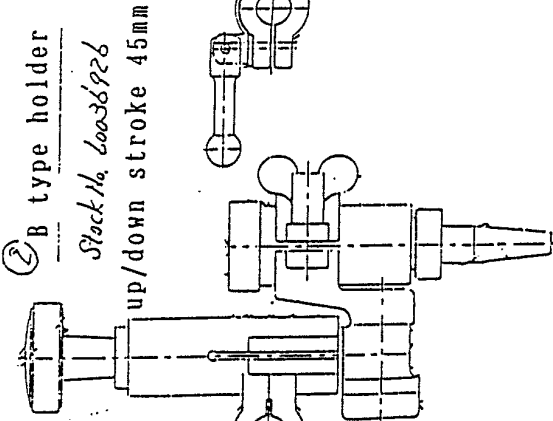
※1. The item No. 137 (Torch holder A'ssy, Stock No. 60036926) is the same as the (B) type holder shown in the exploded view but not including the items Nos. 109 and 133.

※2. The items No.138 (German torch holder A'ssy, Stock No. 60036942) is the same as the (C) type holder shown in the exploded view but not including the item No. 135.

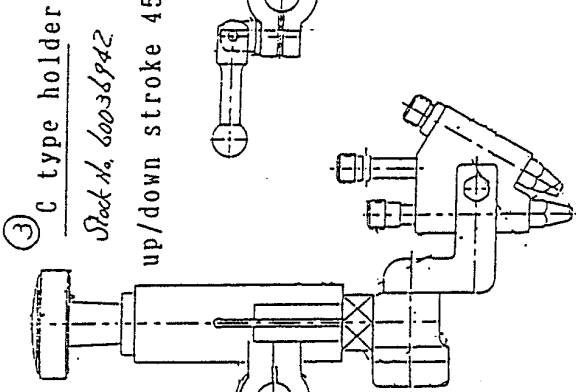
OPTION LIST



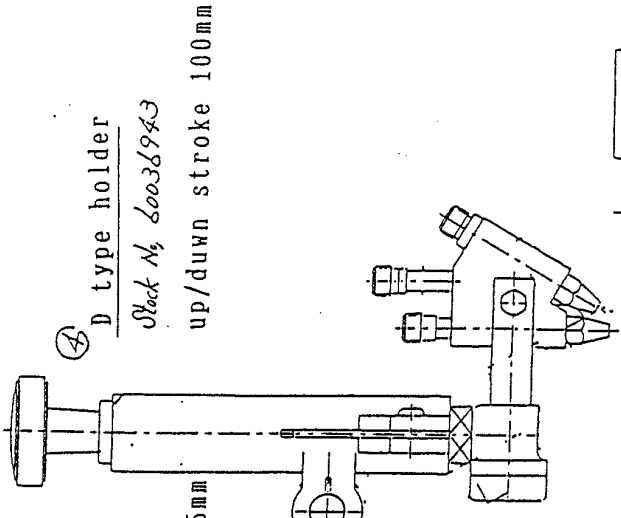
① A type holder
Stock No. 60036852
up/down stroke 90mm



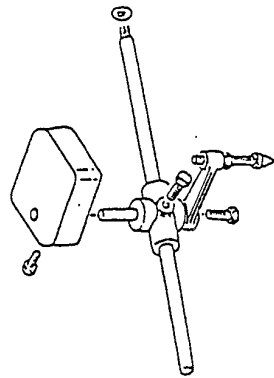
② B type holder
Stock No. 60036926
up/down stroke 45mm



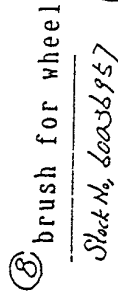
③ C type holder
Stock No. 60036942
up/down stroke 45mm



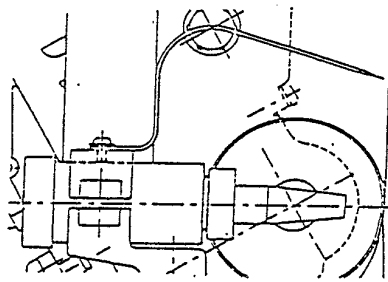
④ D type holder
Stock No. 60036943
up/down stroke 100mm



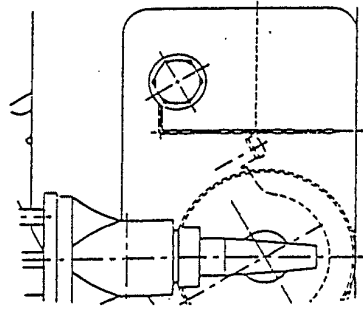
⑤ circle cutting att
Stock No. 60033353



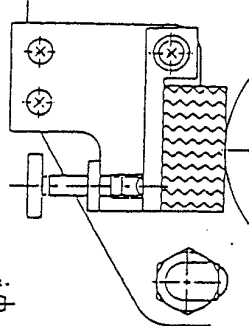
⑧ brush for wheel
Stock No. 60036957



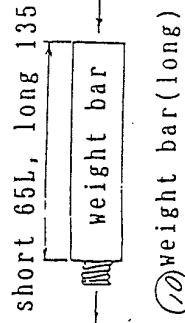
⑦ guide needle
Stock No. 60036956
(B type only)



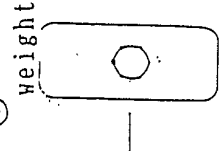
⑥ guide needle
Stock No. 60036955
(common use for A, B, C)



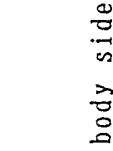
⑨ weight bar (short)
Stock No. 60036958
short 65L, long 135L



⑩ weight bar (long)
Stock No. 60036955



⑪ weight
Stock No. 60030381



body side