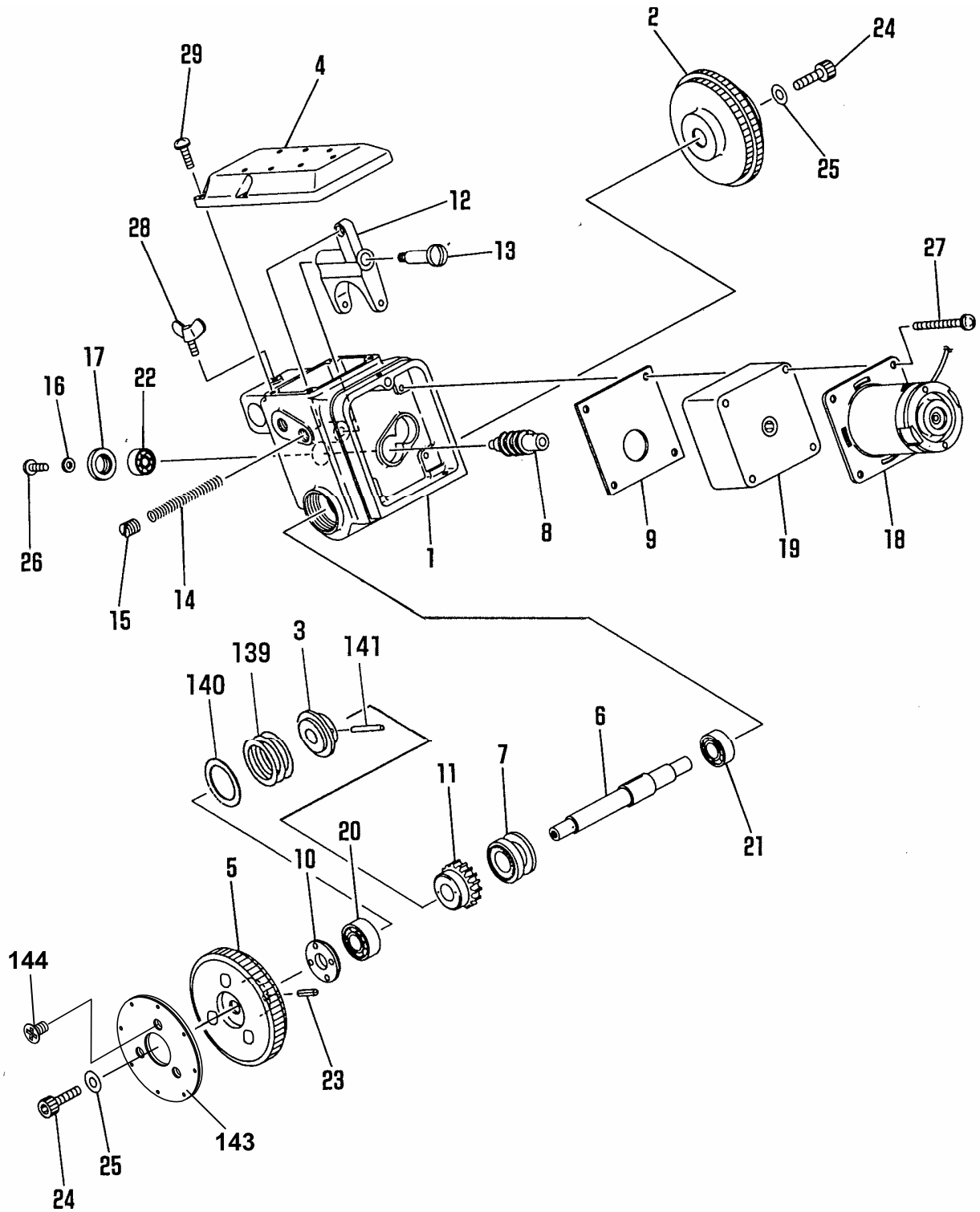


10 Parts list
10.1 Drive unit



IK-93 EDGE-CUT

Drive unit

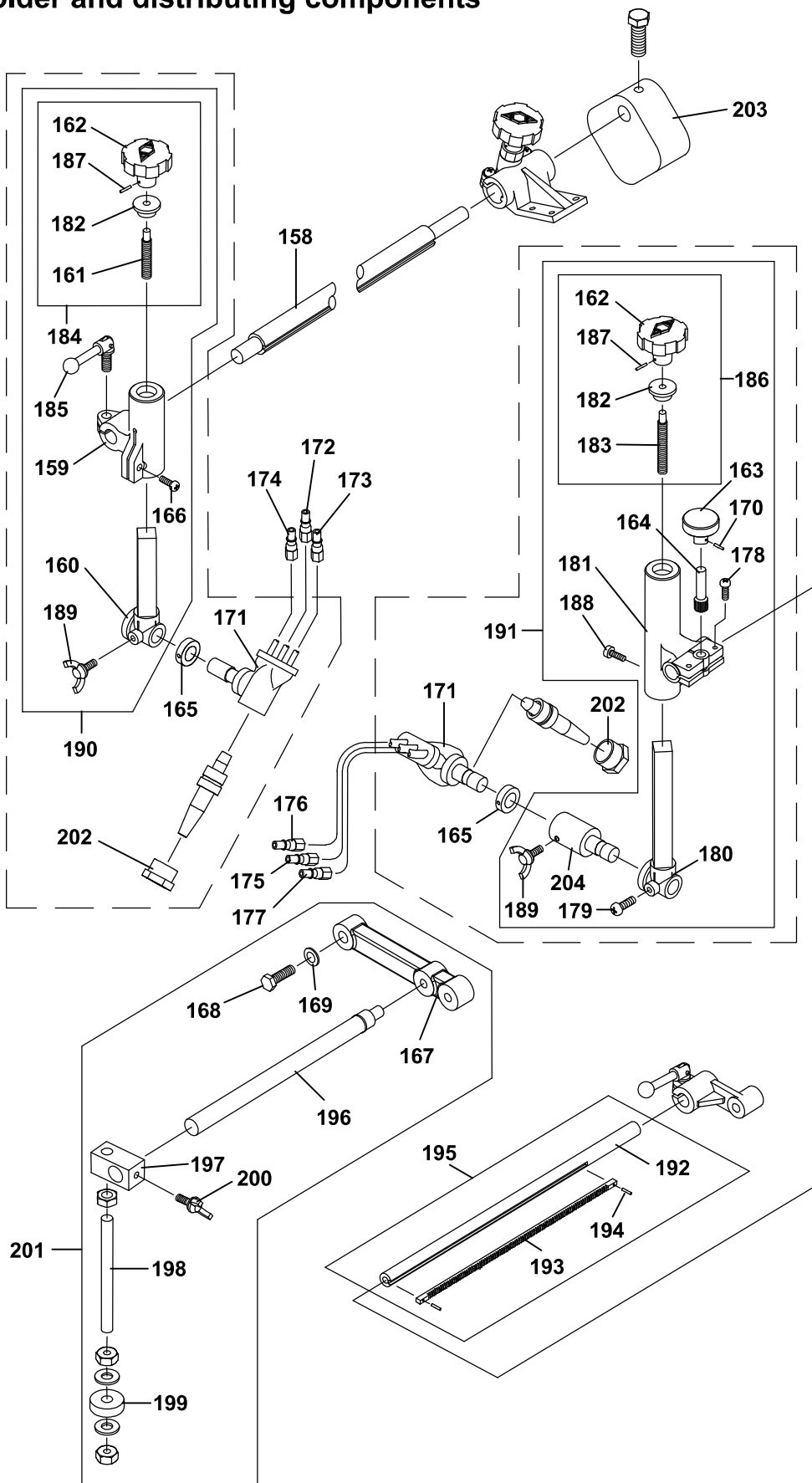
Item No.	Part name	Q'ty	Stock No.	Remarks
1	Gear box	1	T60036801	
2	Idle wheel A'ssy	1	T60036804	
3	Collar	1	T60036806	
4	Gear box cover	1	T60036818	
5	Drive wheel	1	T60036401	
6	Drive shaft A'ssy	1	T61005717	with key
7	Clutch (A)	1	60036404	
8	Worm gear	1	60036406	
9	Teflon packing	1	T60036409	
10	Bearing retaining screw	1	T60030516	
11	Worm Wheel A'ssy	1	T60030518	
12	Clutch lever	1	T60030528	
13	Clutch lever shaft	1	T60030534	
14	Lever spring	1	T60030530	
15	Spring retainers	2	T60030531	
16	Washer	1	T60031015	
17	Bearing retainer	1	T60032591	
18	Motor	1	T61002409	DME446HPB ★
19	Gear head	1	60036437	6H90
20	Bearing	1	T6A036200	6200ZZ
21	Bearing	1	T6A036000	6000ZZ
22	Bearing	1	T6A030606	606ZZ
23	Spring pin	1	T6B022518	PR-2.5x18
24	Hexagon bolt	2	T6C030508	BC-5x8
25	Washer	2	T6D500050	WF-5
26	Screw	1	T6C520406	SP-4x6
27	Screw	4	T6C530440	SP-4x40(WS)
28	Wing bolt	1	T6C110612	BS-6x12
29	Screw	4	T6C530412	SP-4x12(WS)
139	Wave washer	2	60036966	BWW-6200
140	Washer	1	T60036807	
141	Spring pin	1	T6B022518	PR-2.5x18
143	Heat shield	1	T60036824-1	
144	Screw	3	T6C500610	SF-6x10

IK-93 EDGE-CUT

Main body and electric components

Item No.	Part name	Q'ty	Stock No.	Remarks
30	Lower casing	1	T60036811	
31	Grip	1	60036812	
32	Cover	1	T60036813	
33	Clutch lever	1	T60036825	
34	Clutch joint A'ssy (A)	2	T60036827	
35	Clutch joint A'ssy (B)	2	T60036828	
36	Base plate mounting brackets	2	T60036908	
37	Lever shaft	1	T60036819	
38	Spring shaft	1	T60036820	
39	Spring	1	T60036821	
40	Switch mounting plate	1	T60036822	
41	Inner heat shield	1	T61003531	
43	Handle	1	T61003355	
44	Collar	1	T60036417	
46	Speed control handle	1	T60036442	
47	Guide wheel A'ssy	1	T60036870	
48	Wing bolt	1	T6C110615	BS-6x15
49	Machine face plate	1	T61003565	
50	Name plate	1	T89000217	
51	Metal socket	1	T6N100061	3P
		1	T6N100062	4P
52	Switch	1	T60036910	
53	Transformer	1	T60036435	For 100V-220V
		(1)	T60036441	For 42V
54	Controller	1	T60036436	KO-0907
55	Speed-setting VR	1	T60036440	RV24YN20SB55K
56	Motor fan	1	T60036452	
57	Fan guard	1	T60036444	
58	Screw	4	T6C520305	SP-3x5
59	Screw	2	T6C630306	SP-3x6
60	Guard plate	1	T60036909	
61	Spacers	2	T30002107	
62	Screw	4	T6C520312	SP-3x12
63	Nut	4	T6D010030	NH-3
64	Screw	2	T6C520415	SP-4x15
65	Washer	2	T6D500040	WF-4
66	Washer	2	T6D510040	WS-4
67	Nut	2	T6D010040	NH-4
68	Dust protective cap	1	T60032431	
69	Dust protective nut	1	T89000011	
70	Screw	2	T6C510310	SM-3x10
71	Screw	3	T6C510306	SM-3x6
72	Hexagon bolt	1	T6C011015	BH-10x15
74	Washer	1	T6D500100	WF-10
75	O-ring	1	T6E610060	P-6
76	Screw	2	T6C530515	SP-5x15(W/S)
77	Screw	2	T6C530412	SP-4x12(W/S)
78	Screw	9	T6C670406	SM-4x6
79	Screw	1	T6C540405	SS-4x5
81	Screw	2	T6C520408	SP-4x8
142	Cabtyre cord A'ssy	1	T98000029	DIN
		N/A	T98000024	US
			T98000021	KE 42 110V KAB
145	Heat shield A'ssy	1	T61003550	
146	Heat shield	1	T61003532-1	
147	Heat shield plate	1	T61003551-1	
148	Insulating material	1	T61003552-1	
149	Caster	1	T60032134-1	
150	Screw	3	T6C530312	SP-3x12(W/S)
151	Screw	4	T6C520630	SP-6x30
	Washer	4	T6D510060	WS-6
	Washer	4	T6D500060	WF-6

10.3 Holder and distributing components

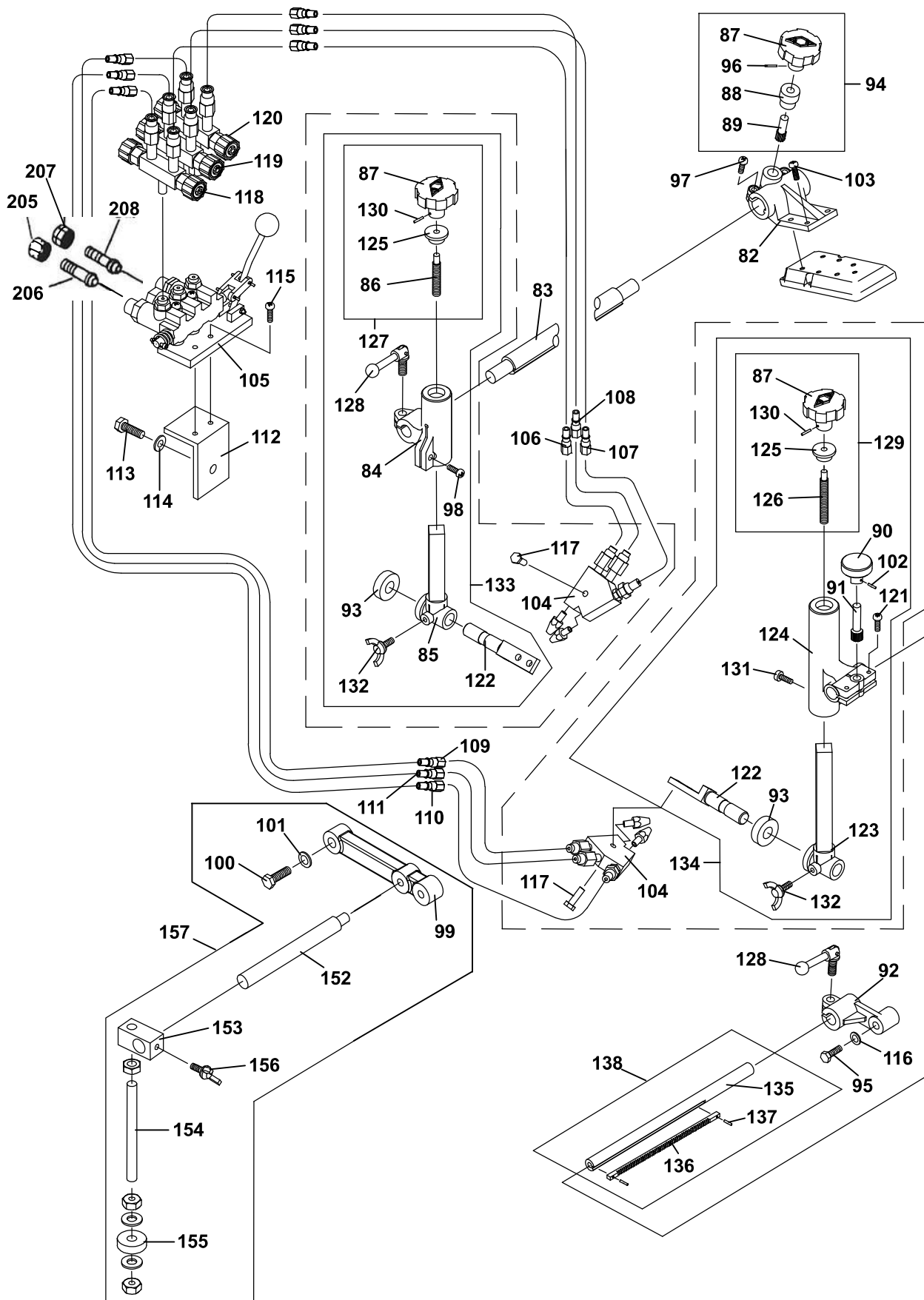


IK-93 EDGE-CUT

Holder and distributing components

Item No.	Part name	Q'ty	Stock No.	Remarks
158	Cross bar (300L) A'ssy	1	T61003672	Type 100
159	Support base	1	T60030566	
160	Holder support	1	T61003727	
161	Square thread	1	T60030565	
162	φ 40 handle	1	T60030223	
163	Handle	1	T60031628	
164	Pinion	1	T60031627	
165	Calibration collar	1	T60030906	with screw
166	Screw	1	T6C520615	SP-6x15
167	Copy roller bracket	1	T89000176	
168	Hexagon bolt	1	T6C021030	BH-10x30
169	Washer	1	T6D500100	WF-10
170	Spring pin	1	T6B022012	PR-2.0x12
171	Torch	1	T89000237	
172	JOX hose	1	T89000690	600L
173	POX hose	1	T89000690	600L
174	FG hose	1	T89000692	600L LPG
		(1)	T89000691	600L AC
175	JOX hose	1	T89000696	900L
176	POX hose	1	T89000696	900L
177	FG hose	1	T89000698	900L LPG
		(1)	T89000697	900L AC
178	Screw	2	T6C520514	SP-5x14
179	Screw	1	T6C520615	SP-6x15
180	Holder support	1	T61003726	
181	Support base	1	61003524	
182	Square thread metal	1	T60030564	
183	Square thread	1	T60032284-1	
184	Vertical handle A'ssy	1	T60030563	
185	Bent handle	1	60030313	
186	Vertical handle A'ssy	1	T60032253	
187	Spring pin	1	T6B022516	PR-2.5x16
188	Screw	1	T6C520615	SP-6x15
189	Wing bolt	1	T6C110615	BS-6x15
190	Following holder A'ssy	1	T61003720	
191	Foregoing holder A'ssy	1	T61003719	
192	Cross bar (300L)	1	T60038817	
193	Rack (300L)	1	T60038820	
194	Spring pin	2	T6B022013	PR-2x13
195	Cross feed bar A'ssy	1	T60038804	
196	Weight bar (200L)	1	T80000099	
197	Guide copy bracket	1	T60036969	
198	Guide bar	1	T60036970	
199	Bearing	1	T6A036200	6200ZZ
200	Wing bolt	1	T6C110612	BS-6x12
201	Guide copy roller A'ssy	1	T61003557	
202	Tip fixing bolt	1	T60005020	
203	Weight	1	T60030578	with hexagon bolt
204	Shaft	1	T61003704	

10.4 Option



IK-93 EDGE-CUT

Option

Item No.	Part name	Q'ty	Stock No.	Remarks
82	Cross feed table A'ssy	1	T60036848	
83	Cross bar	1	T60033672	
84	Support base	1	T60030566	
85	Holder support	1	T60030567	
86	Square thread	1	T60030565	
87	φ40 handle	1	T60030223	
88	φ14 pinion	1	T60030557	
89	Cross feed pinion	1	T60030558	
90	Handle	1	T60031628	
91	Pinion	1	T60031627	
92	Hold bar	1	T89000177	
93	Calibration collar	1	T60030568	
	Screw	1	T6C560408	SS-4x8
94	Cross feed handle A'ssy	1	T60030556	
95	Hexagon bolt	1	T6C010835	BH-8x35
96	Spring pin	1	T6B022516	PR-2.5x16
97	Screw	2	T6C520516	SP-5x16
98	Screw	1	T6C520615	SP-6x15
99	Copy roller bracket	1	T89000176	
100	Hexagon bolt	1	T6C021030	BH-10x30
101	Washer	1	T6D500100	WF-10
102	Spring pin	1	T6B022012	PR-2.0x12
103	Screw	4	T6C510515	SM-5x15
104	Torch	1	60010604	Propane
		(1)	60010603	Acetylene
105	Auto-stop A'ssy	1	61003612	
106	JOX hose	1	T89000690	600L
107	POX hose	1	T89000690	600L
108	FG hose	1	T89000692	600L LPG
		(1)	T89000691	600L AC
109	JOX hose	1	T89000696	900L
110	POX hose	1	T89000696	900L
111	FG hose	1	T89000698	900L LPG
		(1)	T89000697	900L AC
112	L bracket	1	T61003575	
113	Hexagon bolt	1	T6C021030	BH-10x30
114	Washer	1	T6D500100	WF-10
115	Screw	2	T6C530515	SP-5x15(W.S)
116	Washer	1	T6D500080	WF-8
	Washer	1	T6D510080	WS-8
117	Hexagon bolt	1	T6C010620	BH-6x20
118	Twin valve A'ssy (JOX)	1	T60013499	
119	Twin valve A'ssy (POX)	1	T60013500	
120	Twin valve A'ssy (FG)	1	T61003573	
121	Screw	2	T6C520514	SP-5x14
122	German torch support	1	T61003556	
123	Holder support	1	T60032252	
124	Support base	1	61003524	
125	Square thread metal	1	T60030564	
126	Square thread	1	T60032284-1	
127	Vertical handle A'ssy	1	T60030563	
128	Bent handle	1	60030313	
129	Vertical handle A'ssy	1	T60032253	
130	Spring pin	1	T6B022516	PR-2.5x16
131	Screw	1	T6C520615	SP-6x15
132	Wing bolt	1	T6C110615	BS-6x15
133	Following holder A'ssy	1	T61003577	
134	Foregoing holder A'ssy	1	T61003546	
135	Cross bar	1	T60033111	
136	Rack	1	T60033110	
137	Spring pin	2	T6B022013	PR-2x13
138	Cross feed bar A'ssy	1	T60031626	
152	Weight bar	1	T60031855	
153	Guide copy bracket	1	T60036969	
154	Guide bar	1	T60036970	
155	Bearing	1	T6A036200	6200ZZ
156	Wing bolt	1	T6C110612	BS-6x12
157	Guide copy roller A'ssy	1	T61003557	
205	Nut for Oxygen	1	T60015001	
206	Hose connector (OX)	1	T60015003	
207	Nut for Gas	1	T60015002	
208	Hose connector (Gas)	1	T60015004	