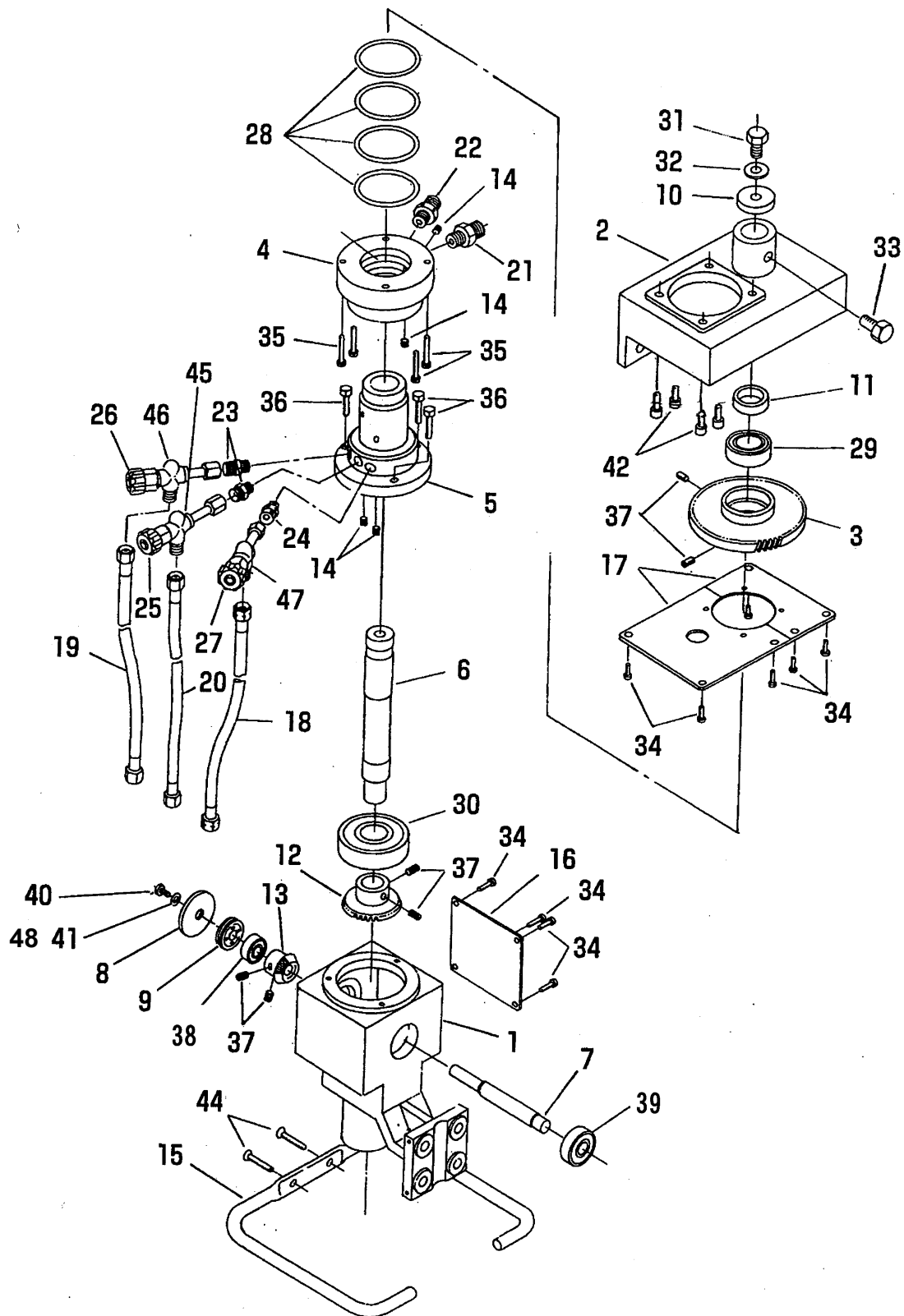


## 10 Parts List

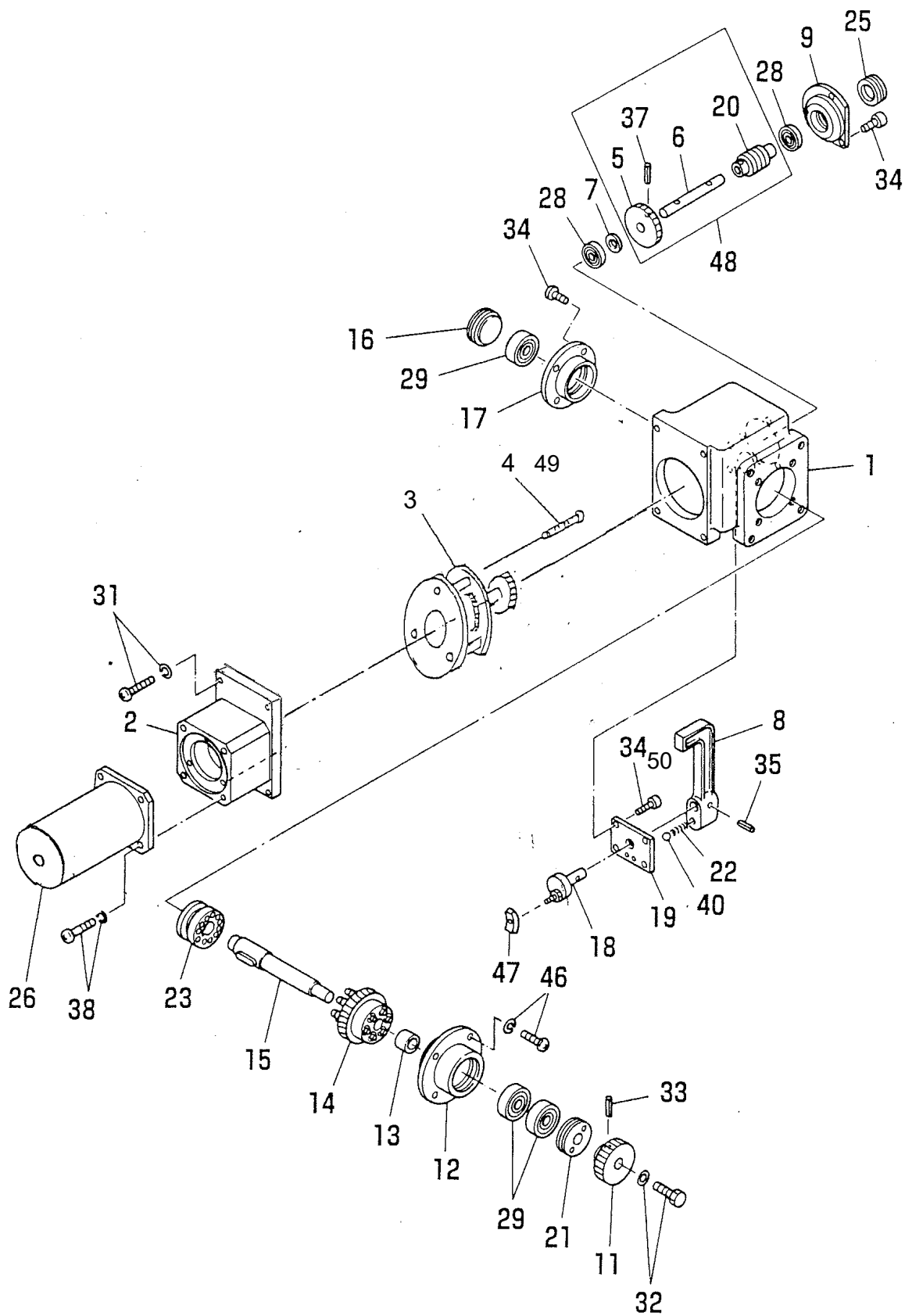
### 10.1 Distributor unit



**Distributor units**

Item No.	Part name	Q'ty	Stock No.	Remarks
1	Gear case	1	60033550	
2	Body case	1	60033551	
3	Drive gear	1	60033552	
4	Distributor cover	1	60033553	
5	Distributor	1	60033554	
6	Set shaft	1	60033555	
7	Lever shaft	1	60033556	
8	Scale	1	60033557	
9	Bearing retainer	1	60033558	
10	Washer	1	60033559	
11	Collar	1	60033560	
12	Bevel gear (A)	1	60033561	
13	Bevel gear (B)	1	60033562	
14	Screw	4	61004889	
15	Handle	1	60033563	
16	Cover (A)	1	60033564	
17	Cover (B)	1	60033565	
18	Hose for gas (M12x600(left)) Red	1	60030307	Except USA
	Hose for gas (9/16x600(left))	1	60030308	USA only
	Hose for gas (M12x600(left)) Orange	(1)	61001810	
19	Hose for preheat oxygen (M12x600)	1	60030305	Except USA
	Hose for preheat oxygen (9/16x600)	1	60030304	USA only
20	Hose for cutting oxygen (M12x600)	1	60030305	Except USA
	Hose for cutting oxygen (9/16x600)	1	60030304	USA only
21	Nipple (NJD16-1/4)	1	60013571	Except USA
22	Nipple (US9/6-14)	1	60032850	USA only
	Nipple (NJDF16-1/4)	1	60013572	Except USA
	Nipple (US9/16-14(left))	1	60032851	USA only
23	Nipple	2	60032848	NJD12-1/8
24	Nipple	1	60032849	NJD12-1/8
25	Valve for cutting oxygen	1	60015354	Except KE
	Valve for cutting oxygen	1	60015358	KE only
26	Valve for preheat oxygen	1	60015355	Except KE
	Valve for preheat oxygen	1	60015358	KE only
27	Valve for gas	1	60015356	
28	O-ring	4	60033566	P44
29	Bearing	1	6A036905	6905ZZ
30	Bearing	1	6A036305	6305ZZ
31	Hexagon bolt	1	6C011030	BH-10x30
32	Washer	1	6D510100	WS-10 ★
33	Hexagon bolt	1	6C011015	BH-10x15
34	Screw	10	6C570410	SP-4x10(WS,WF) ★
35	Hexagon bolt	4	6C010425	BH-4x25
36	Hexagon bolt	4	6C010520	BH-5x20
37	Screw	6	6C560606	SSS-6x6
38	Bearing	1	6A036300	6300ZZ
39	Bearing	1	6A036202	6202ZZ
40	Hexagon bolt	1	6C010615	BH-6x15
41	Washer	1	6D500060	WF-6
42	Hexagon bolt	4	6C030620	BC-6x20
44	Screw	2	6C500515	SF-5x15
45	Valve body (JO)	1	60033582	Except USA
	Valve body (JO)	1	60033585	USA only
46	Valve body (PO)	1	60033583	Except USA
	Valve body (PO)	1	60033616	USA only
47	Valve body (GAS)	1	60033584	Except USA
	Valve body (GAS)	1	60033586	USA only
48	Washer	1	6D510060	WS-6 ★

## 10.2 Drive unit



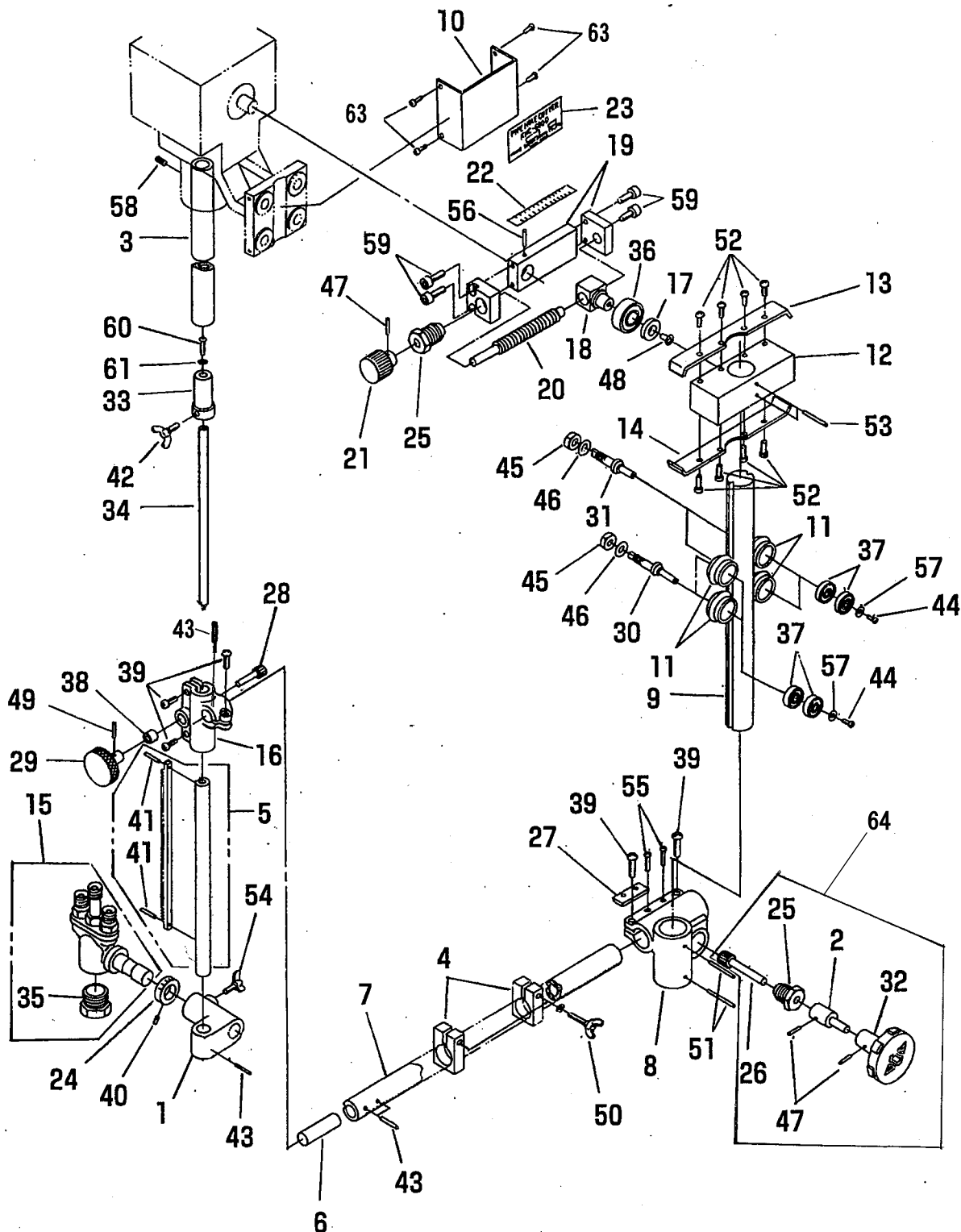
**Drive units**

Item No.	Part name	Q'ty	Stock No.	Remarks
1	Reduction gear box	1	60032400	
2	Casing	1	61001162	
3	Gear Ass'y	1	61001127	
4	Screw	3	6C520322	SP-3x22 with WS ★
5	Gear (B)	1	60032404	
6	Gear shaft (B)	1	60032405	
7	Collar (B)	1	60032406	
8	Clutch lever	1	60032407	※1
9	Casing (D)	1	60032408	
11	Pinion	1	60031312	※1
12	Casing (A)	1	60031310	
13	Collar	1	60031309	
14	Worm wheel assembly	1	60031308	
15	Drive shaft assembly	1	60031318	※1
16	Bearing retainer	1	60031306	
17	Casing (B)	1	60031305	
18	Clutch lever shaft assembly	1	60031313	※1
19	Clutch lever metal	1	60031316	
20	No.2 worm	1	60032462	
21	Bearing retainer	1	60031279	
22	Lever spring	1	60031236	
23	Clutch	1	60031307	
25	Bearing retainer	1	60031014	
26	Motor	1	61007885	DC24V 5000R.P.M
28	Bearing	2	6A030608	608ZZ
29	Bearing	3	6A036201	6201ZZ
31	Screw	4	6C530418	SP-4x18 with WS
32	Hexagon bolt	1	6C030615	BC-6x15 with WF ★
	Washer	1	6D500060	WF-6
33	Spring pin	1	6B024020	PR-4x20
34	Screw	11	6C520412	SP-4x12
35	Spring pin	1	6B022520	PR-2.5x20
38	Screw	4	6C530412	SP-4x12 with WS
40	Steel ball	1	6F810104	TB-1/4
46	Screw	4	6C520615	SP-6x15
47	Slider	1	60030265	
48	No.2 worm assembly	1	60032511	
49	Washer	3	6D510030	WS-3 ★
50	Washer	11	6D510040	WS-4 ★

※1 It is necessary to drill and pin the holes to match the actual product.

Note: When replacing parts, the horizontal and vertical directions are There is a possibility of deviation.

10.3 Torch unit



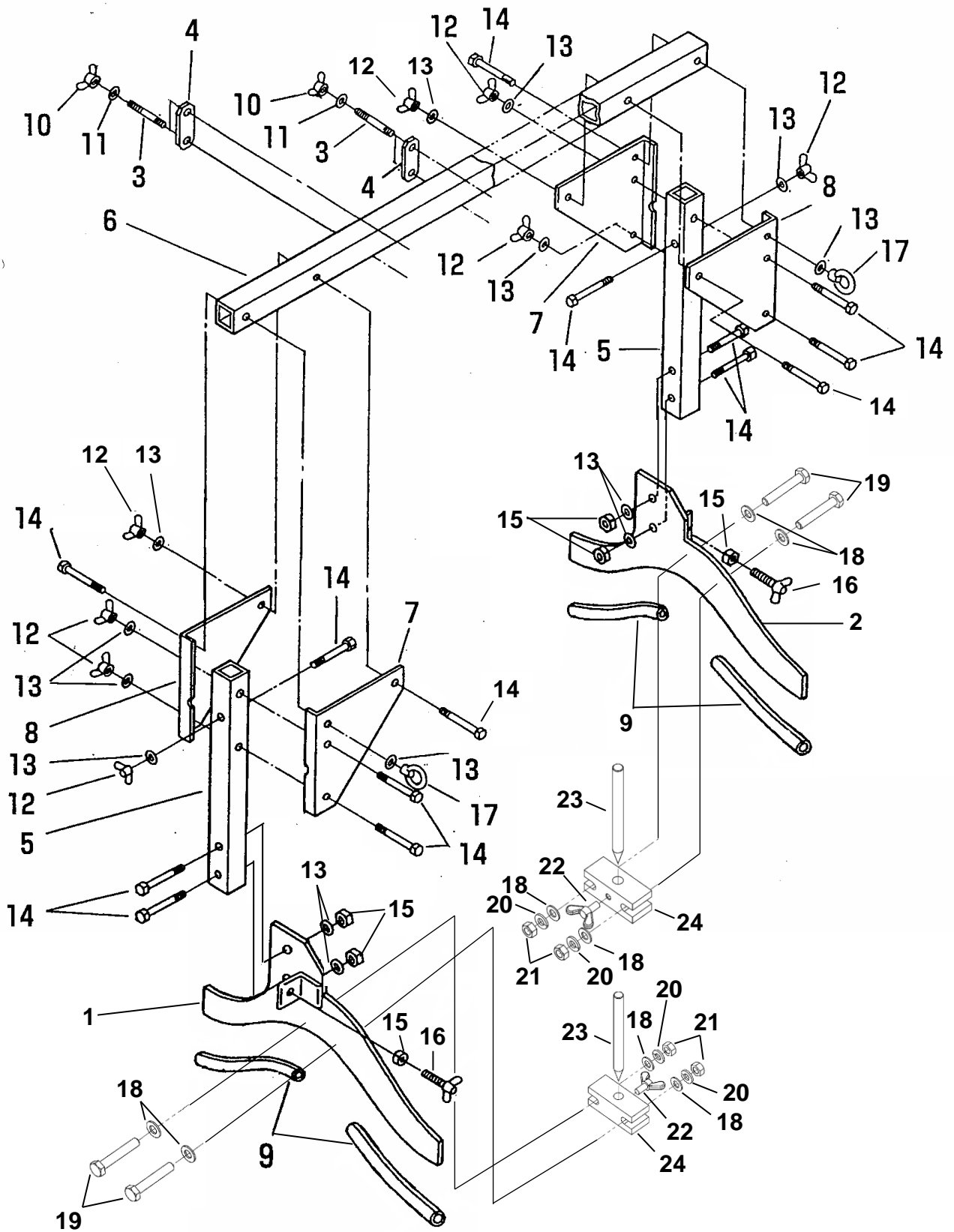
**Torch unit**

Item No.	Parts Name	Qty	Stock No.	Remarks
1	Torch holder	1	60033568	※1
2	Shaft	1	60033569	※1
3	Center holder	1	60033570	
4	Stopper	2	60033571	
5	Holder bar assembly	1	60032762	With rack
6	Joint	1	60032764	※1
7	Cross bar	1	60032765	※1
8	Cross feed holder	1	60032767	※1
9	Slide bar	1	60032768	※1
10	Slide bracket cover	1	60032770	
11	Guide roller	4	60032773	With bearing
12	Slide bar bracket	1	60032774	※1
13	Bearing holder (A)	1	60032775	
14	Bearing holder (B)	1	60032776	
15	Torch	1	60010851	Except KE, USA
	Torch	1	60010852	USA only
	Torch	1	60010853	KE only
16	Vertical slide bar	1	60031665	※1
17	Washer	1	60032777	
18	Nut	1	60032778	
19	Lever	1	60032779	
20	Screw	1	60032781	
21	Lever handle	1	60032782	※1
22	Scale	1	60032783	
23	Name plate	1	60033572	
24	Graduation collar	1	60030906	
25	Pinion metal (A)	2	60030909	
26	Pinion (A)	1	60030910	※1
27	Key (B)	1	60030991	
28	Pinion	1	60031627	※1
29	Handle	1	60031628	D=50mm ※1
30	Roller shaft (A)	2	60033440	
31	Roller shaft (B)	2	60033443	
32	Handle	1	60030317	※1
33	Center bush	1	60032811	
34	Center	1	60032810	
35	Tip fixing nut	1	60005020	
36	Bearing	1	6A036001	6001ZZ
37	Bearing	8	6A030626	626ZZ
38	DU bush	1	6D700610	
39	Screw	5	6C520515	SP-5x15
40	Screw	1	6C540304	SS-3x4
41	Spring pin	2	6B022012	PR-2x12S-5x10
42	Wing bolt	1	6C110510	BS-5x10
43	Spring pin	4	6B022520	PR-2.5x20
44	Screw	4	6C520410	SP-4x10
45	Nut	4	6D010080	NH-8
46	Washer	4	6D500080	WF-8
47	Spring pin	3	6B022515	PR-2.5x15
48	Screw	1	6C500510	SF-5x10
49	Spring pin	1	6B022012	PR-2x12
50	Wing bolt	2	6C110425	BS-4x25
51	Spring pin	2	6B024035	PR-4x35
52	Screw	8	6C520412	SP-4x12
53	Spring pin	2	6B024035	PR-4x35
54	Wing bolt	1	6C110510	BS-5x10
55	Screw	2	6C520315	SP-3x15
56	Spring pin	1	6B024028	PR-4x28
57	Washer	4	6D500040	WF-4
58	Screw	2	6C540508	SS-5x8
59	Hexagon bolt	4	6C030515	BC-5x15
60	Screw	1	6C520410	SP-4x10
61	Washer	1	6D500040	WF-4
63	Screw	4	6C570410	SP-4x10 with WS, WF★
64	Handle assembly	1	60033580	★

※1 It is necessary to drill and pin the holes to match the actual product.

Note: When replacing parts, the horizontal and vertical directions are There is a possibility of deviation.

### 10.4 Stand unit

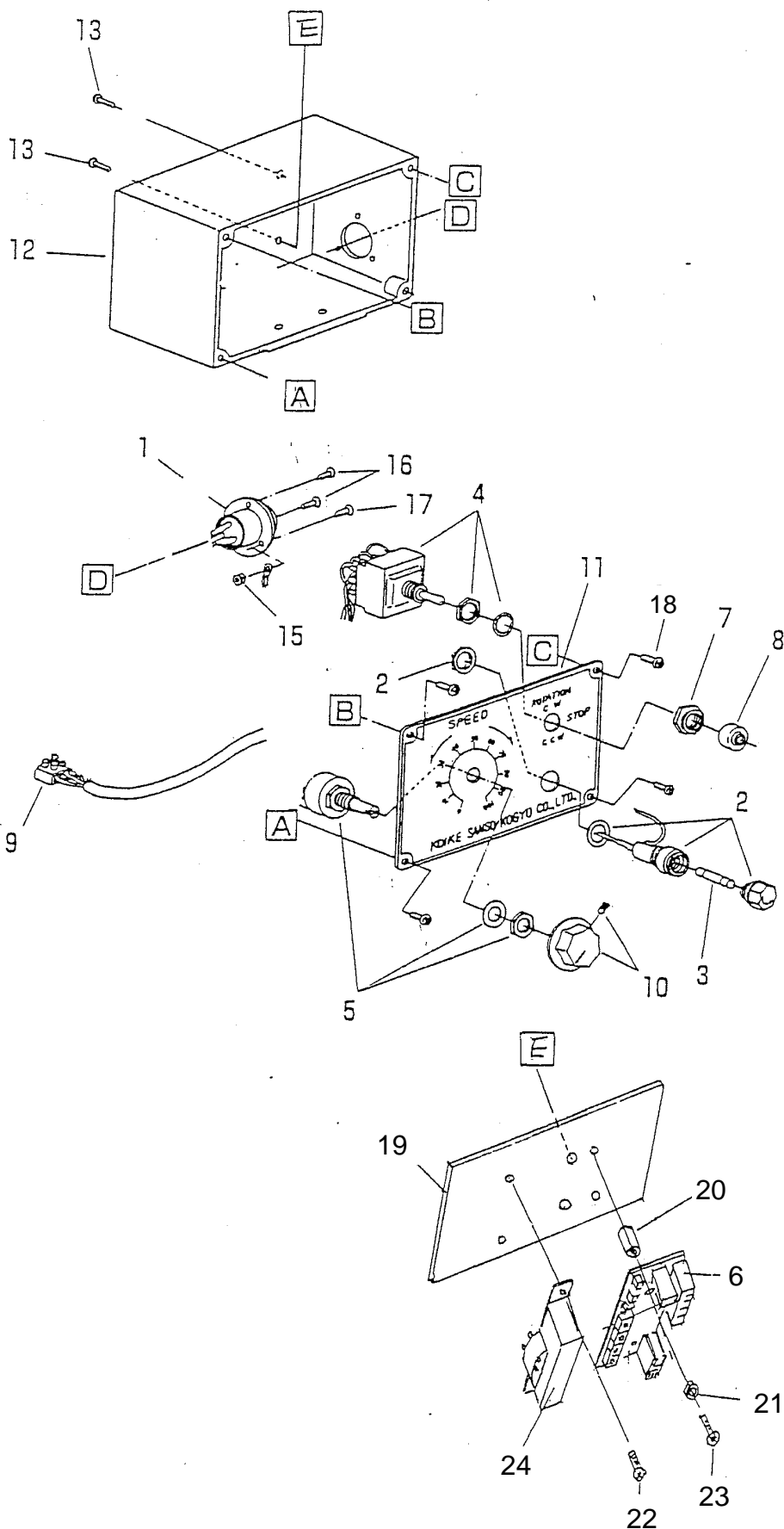


**Stand unit**

Item No.	Part name	Q'ty	Stock No.	Remarks
1	Leg (A)	1	60033573	
2	Leg (B)	1	60033574	
3	Support bar	2	60033575	
4	Support plate	2	60033576	
5	Square pipe (B)	2	60032823	
6	Square pipe (A)	1	60033577	
7	Supplementary plate (A)	2	60032824	
8	Supplementary plate (B)	2	60032825	
9	Trim	4	64000490	
10	Wing nut	4	6D080100	NB-10
11	Washer	4	6D500100	WF-10
12	Wing nut	8	6D080080	NB-8
13	Washer	14	6D500080	WF-8
	Washer	14	6D510080	WS-8
14	Bolt	14	6C010860	BH-8x60
	Washer	14	6D500080	WF-8
15	Nut	6	6D010080	NH-8
16	Wing bolt	2	6C120830	BS-8x30
17	Nut	2	6D400002	NE-8
18	Washer	8	6D500060	WF-6
				★
19	Bolt	4	6C010635	BH-6x35
				★
20	Washer	4	6D510060	WS-6
				★
21	Nut	4	6D010060	NH-6
				★
22	Wing bolt	2	6C120510	BS-5x10
				★
23	Center pin	2	60032832	
				★
24	Bracket	2	60032831	
				★



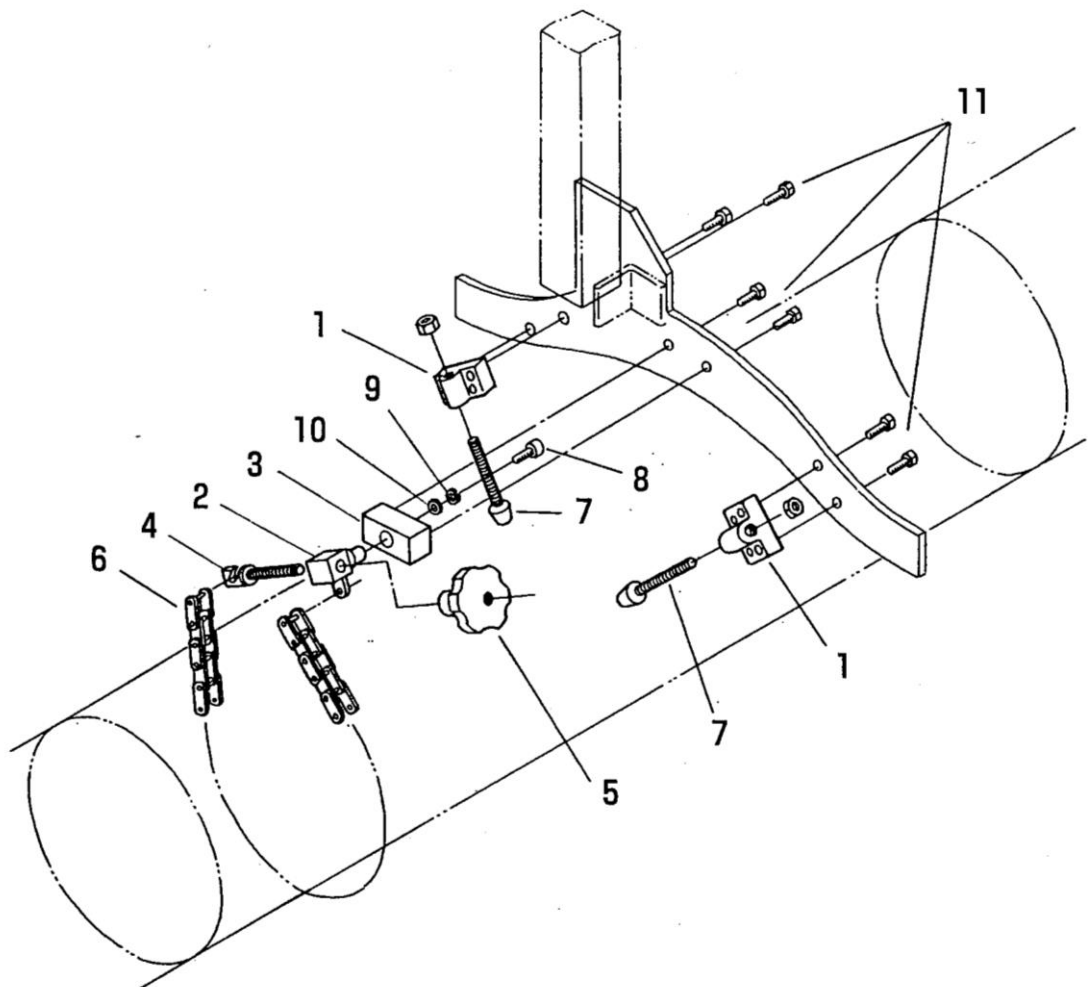
### 10.5 Electric unit



**Electric unit**

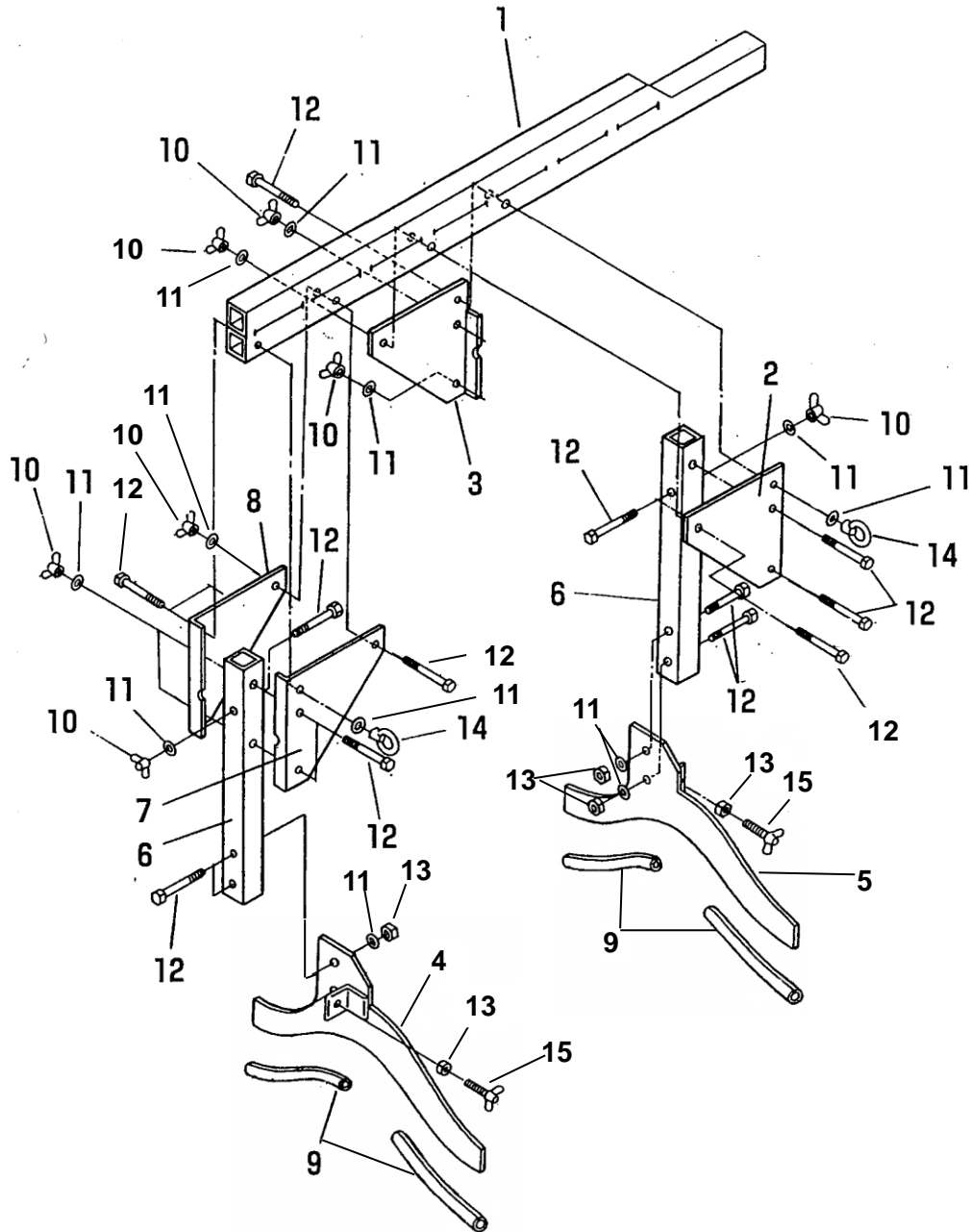
Item No.	Part name	Q'ty	Stock No.	Remarks
1	Metal socket (For 100V – 120V)	1	6N100061	NCS-253-R
	Metal socket (For 220V – 240V)	1	6N100062	NCS-254-R
2	Fuse holder	1	64000019	F-7150
3	Fuse	1	60030707	1A
4	Switch	1	60031458	S-43
5	Variable resistor	1	60030745	RV24YNB50k ohm
6	Controller	1	69000105	
7	Dust protective nut	1	60035017	
8	Dust protective cap	1	60032431	
9	Mid-terminal	1	60031666	2P
10	Speed adjuster handle	1	60030980	
11	Operation panel	1	60030936	
12	Operation box	1	60032152	
13	Screw	2	6C520410	SP-4x10 ★
15	Nut	1	6D010030	NH-3
16	Screw	2	6C500306	SF-3x6
17	Screw	1	6C500308	SF-3x8
18	Screw	4	6C570410	SP-4x10 with WS,WF★
19	Bracket	1	61001067	
20	Spacer	2	6R020001	
21	Isolation washer	2	60036374	
22	Screw	2	6C530305	SP-3x5 with WS
23	Screw	2	6C520310	SP-3x10
24	Trans former	1	61000472	For 100V – 220V
	Trans former	1	61000672	For 230V – 240V
	Trans former	1	61000473	For 42V

## 10.6 Small diameter kit



Item No.	Parts Name	Qty	Stock No.	Remarks
1	Set plate	4	60033590	
2	Chain shaft	1	60033591	
3	Set plate	1	60033592	
4	Hook	1	60033593	
5	Handle	1	60033594	
6	Chain	1	60033596	
7	Bolt with rubber	4	60033597	
8	Hexagon bolt	1	6C030615	BC-6x15
9	Washer	1	6D510060	WS-6
10	Washer	1	6D500060	WF-6
11	Screw	10	6C520615	SP-6x15

### 10.7 Over-hang (option)



Item No.	Parts Name	Qty	Stock No.	Remarks	
1	Arm	1	60033598		
2	Supplementary plate (C)	1	60033599		
3	Supplementary plate (D)	1	60033600		
4	Leg (A)	1	60033573		
5	Leg (B)	1	60033574		
6	Square pipe (B)	2	60032823		
7	Supplementary plate (A)	1	90032824		
8	Supplementary plate (B)	1	60032825		
9	Trim	4	64000490		
10	Wing nut	8	6D080080	NB-8	
11	Washer	14	6D500080	WF-8	
	Washer	14	6D510080	WS-8	★
12	Hexagon bolt	14	6C010860	BH-8x60	
	Washer	14	6D500080	WF-8	★
13	Nut	6	6D010080	NH-8	
14	I nut	2	6D400002	NE-8	
15	Wing bolt	2	6C110830	BS-8x30	