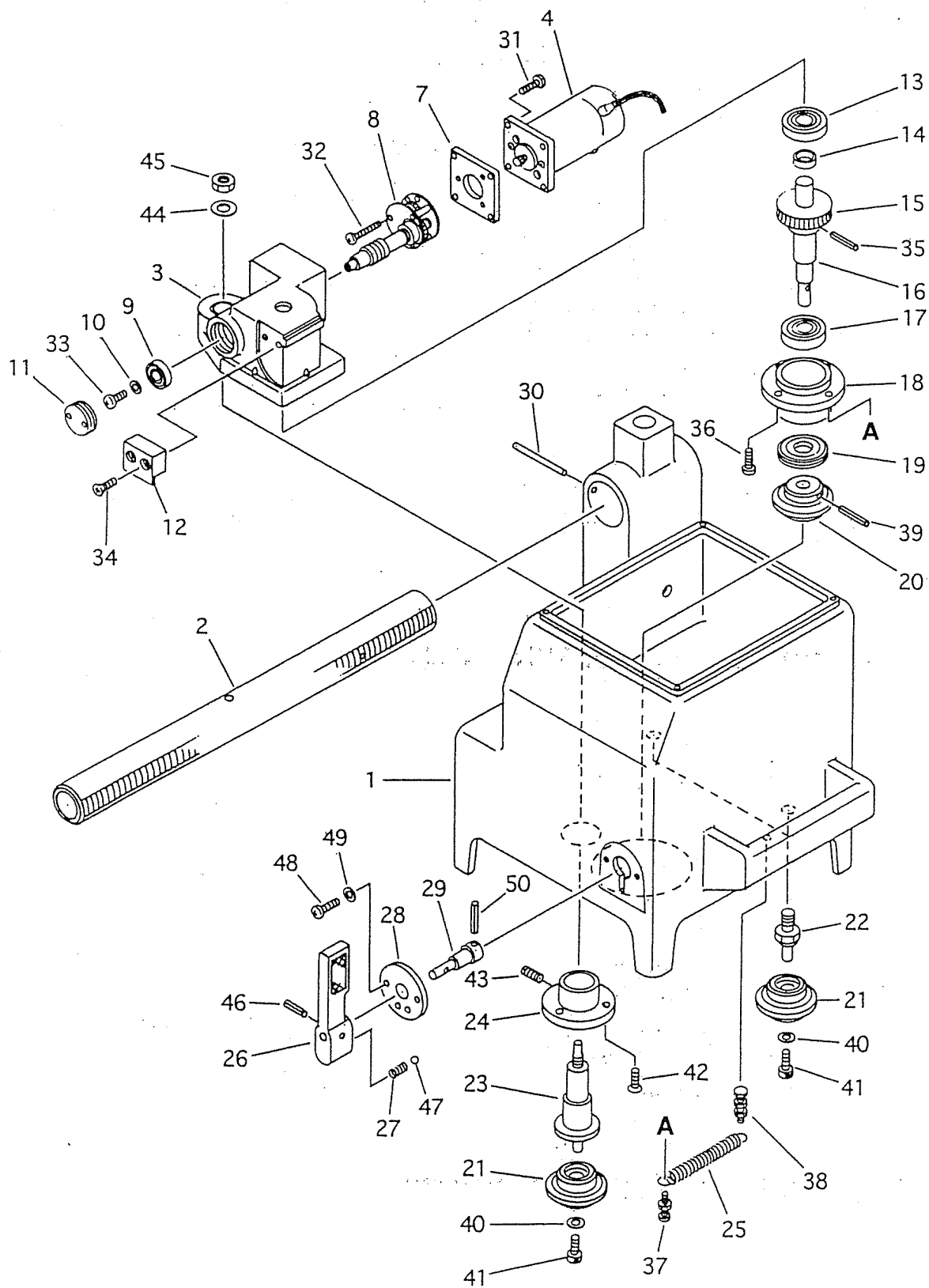
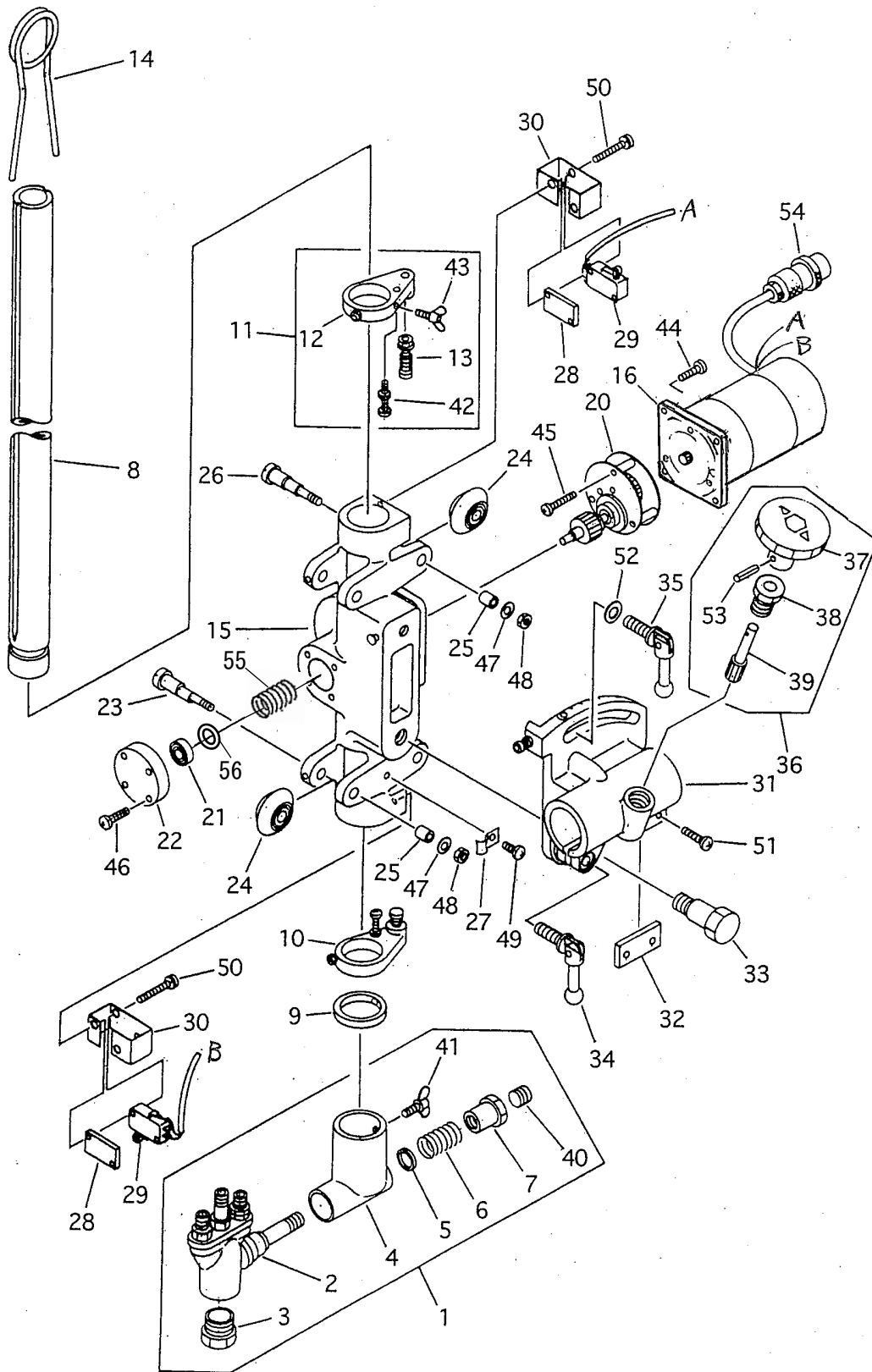


10 Parts list

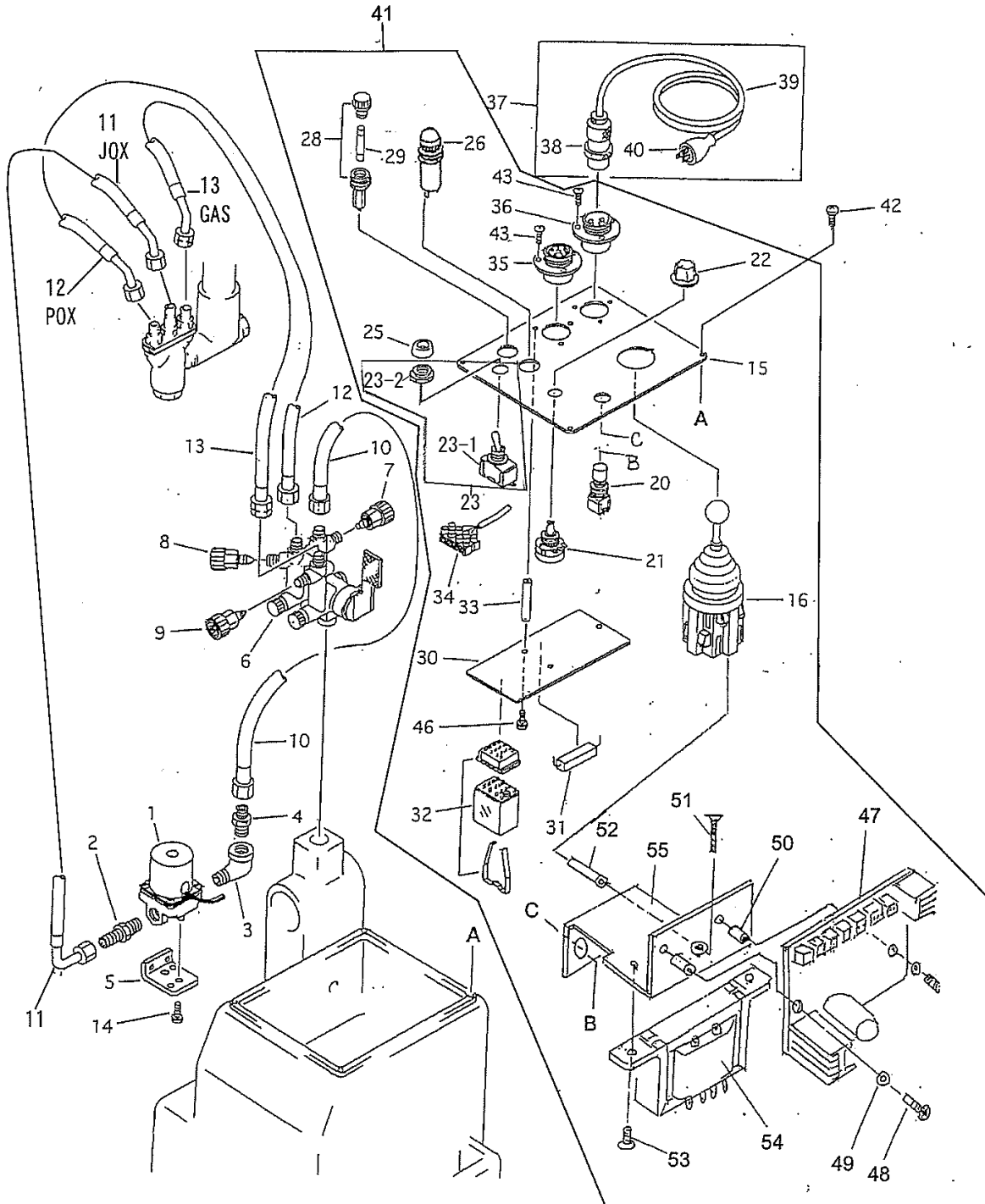
10.1 Body unit



10.2 Torch slide unit



10.3 GAS distributor operation plate unit



Gas distributor operation plate unit

ITEM No.	PART NAME	QTY	STOCK No.	REMARKS
1	Solenoid valve(OX)	1	60032092	Except USA,KE
	Solenoid valve(OX)	1	60032093	120V USA,KE
2	Nipple	1	60031242	Except USA
	Nipple	1	60031243	USA only
3	Elbow	1	60032046	
4	Nipple	1	60032021	Except USA
	Nipple	1	60032022	USA only
5	Solenoid valve fitting plate	1	60032091	
6	Distributor	1	60010501	Except USA,KE
	Distributor	1	60010502	USA only
	Distributor	1	60010503	KE only
7	Valve for Jet oxygen	1	60015251	Except KE
	Valve for Jet oxygen	1	60015252	KE only
8	Valve for Preheat oxygen	1	60015255	Except KE
	Valve for Preheat oxygen	1	60015258	KE only
9	Valve for Gas	1	60015256	
10	Hose for Jet oxygen	1	60030510	Except USA ST-400,LT-400
	Hose for Jet oxygen	1	60030509	USA only ST-400,LT-400
11	Hose for Jet oxygen	1	60032068	Except USA ST-400
	Hose for Jet oxygen	1	60031229	USA only ST-400
	Hose for Jet oxygen	1	60032069	Except USA ST-700
	Hose for Jet oxygen	1	60032023	USA only ST-700
12	Hose for Preheat oxygen	1	60031230	Except USA ST-400
	Hose for Preheat oxygen	1	60031231	USA only ST-400
	Hose for Preheat oxygen	1	60032030	Except USA ST-700
	Hose for Preheat oxygen	1	60032024	USA only ST-700
13	Hose for Gas (Red)	1	60031232	Except USA ST-400
	Hose for Gas	1	60031233	USA only ST-400
	Hose for Gas (Orange)	(1)	61001819	ST-400
	Hose for Gas (Red)	1	60032031	Except USA ST-700
	Hose for Gas	1	60032025	USA only ST-700
	Hose for Gas (Orange)	(1)	61001820	ST-700
14	Screw (SP-5×12)	2	6C520512	M5×12 With WS
15	Operation panel	1	60031240	
16	4-Direction switch	1	60031244	
20	Push button switch	1	60031248	
21	Variable resistor	1	60030745	
22	Handle	1	60031249	With Screw

ITEM No.	PART NAME	QTY	STOCK No.	REMARKS
23	Switch ass'y	1	61006769	★
23-1	Switch	1	61006768	S-1A ★
23-2	Nut for dust protector	1	60032480	S-1A only ★
25	Cap for dust protector	1	60032431	
26	Neon lamp	1	6N380009	AC100V-AC120V
28	Fuse holder	1	60031286	
29	Fuse	1	60030707	1A
30	Printed card	1	60031289	
31	Resistor	2	60031247	
32	Relay	4	60031252	Except USA,KE
	Relay	4	60032044	USA,KE
33	Printed card fitting bar	3	60032071	
34	Terminal	1	60030656	4P
35	Metal socket	1	6N100054	6P
36	Metal socket	1	6N100061	3P
37	Cabtyre cord ass'y(3P)	1	61004264	
	Cabtyre cord ass'y(3P)	1	61004306	For transformers
	Cabtyre cord ass'y(3P) CEtype	1	61005386	For transformers KE only
38	Metal plug	1	6N100056	3P
39	Cabtyre cord(5M)	1	61004458	
	Cabtyre cord(5M) CEtype	1	61005393	KE only
40	Rubber plug	1	60030280	
41	Operation panel ass'y	1	61004410	Except KE,USA For 100V
	Operation panel ass'y	1	61004414	KE,USA For 120V
42	screw	4	6C520306	SP-3×6
43	screw	6	6C510408	SM-4×8
46	Screw	2	6C520306	SP-3×6
47	Controller	1	69000105	
48	Screw	2	6C520310	SP-3×10
49	Isolation washer	2	60036374	WP-1
50	Spacer	2	6R020001	EP-5
51	Screw	1	6C500318	SF-3×18
52	Spacer	1	64000042	EM-14
53	Screw	2	6C520305	SP-3×5
54	Transformer	1	61000472	For 100,120V
55	Bracket	1	61001042	
55	Bracket	1	61001042	

10.4 Rail unit

