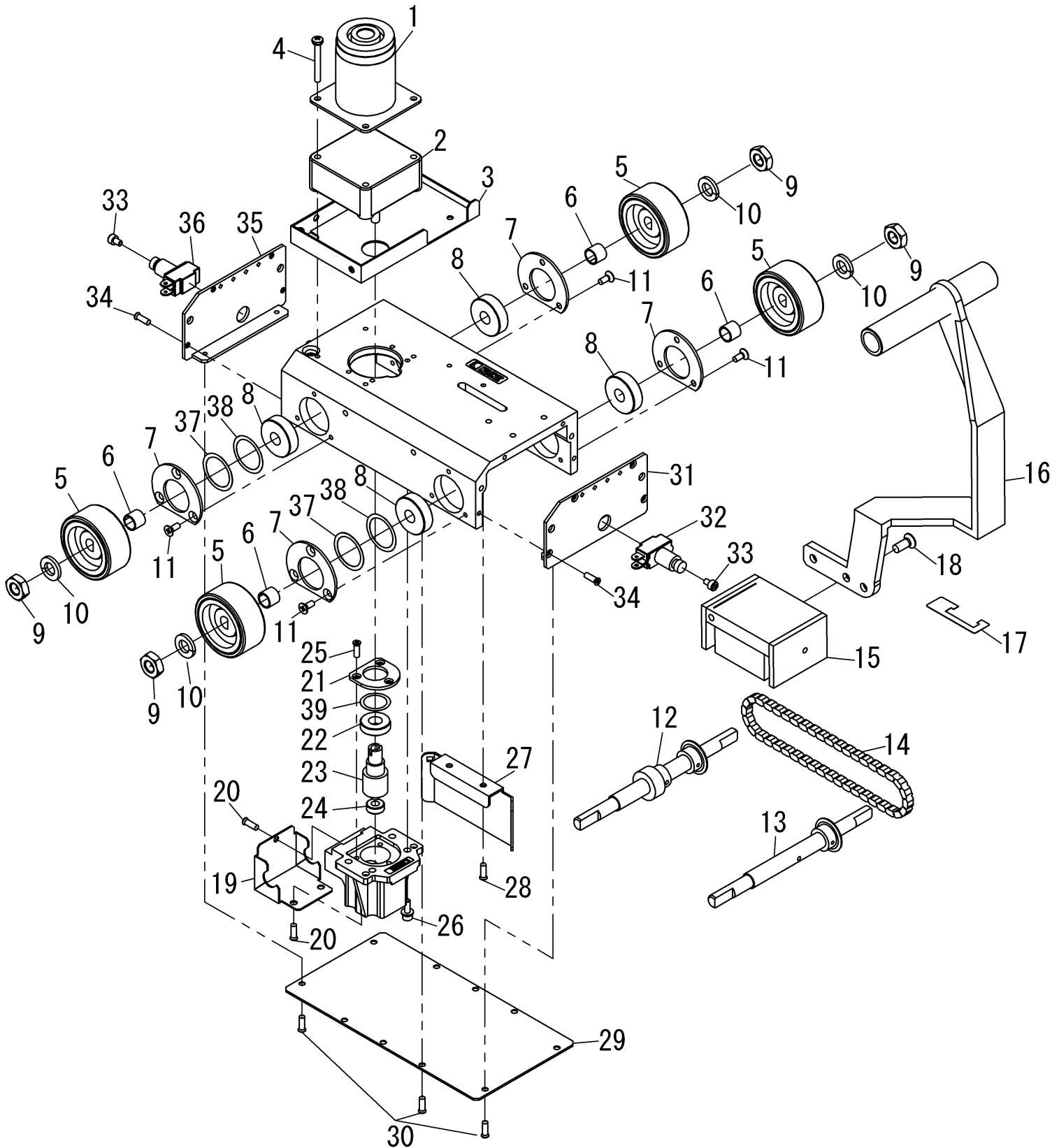


## 9 Parts list

### 9.1 Main body and inside parts

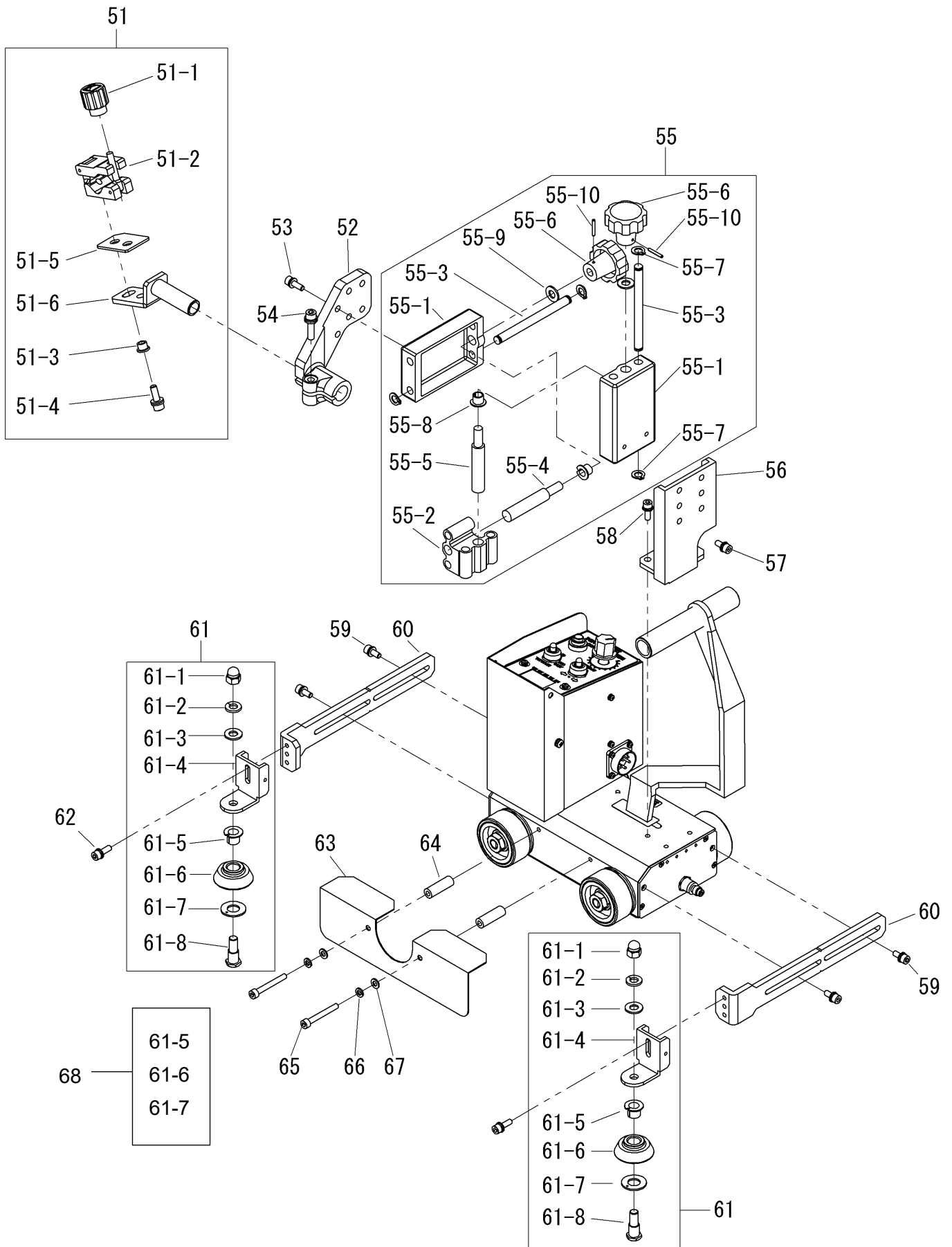


Main body and inside parts

| ITEM No. | PART NAME                | QTY | STOCK No. | REMARKS         | ITEM No. | PART NAME          | QTY | STOCK No. | REMARKS        |
|----------|--------------------------|-----|-----------|-----------------|----------|--------------------|-----|-----------|----------------|
| 1        | Motor                    | 1   | 6P010014  |                 | 34       | Screw (SUS)        | 8   | 6C730412  | M4×12 d=6 ★    |
| 2        | Gear head                | 1   | 61007166  | with spring pin | 35       | Side panel (R)     | 1   | 61006960  | right side     |
| 3        | Operation box D          | 1   | 61006972  |                 | 36       | Limit switch (R)   | 1   | 61006497  | with CN        |
| 4        | Screw                    | 4   | 6C530440  | M4×40(WS) ★     | 36-1     | Push button switch | 1   | 64000171  | SB-221(N/C)R2B |
| 5        | Drive wheel              | 4   | 61000579  |                 | 37       | Adjusting washer   | (0) | 61000620  | t=0.2mm ※      |
| 6        | Spacer                   | 4   | 61007553  |                 | 38       | Adjusting washer   | (0) | 61000621  | t=0.1mm ※      |
| 7        | Bearing retainer         | 4   | 61000571  |                 | 39       | Adjusting washer   | (0) | 61000542  | t=0.1mm ※      |
| 8        | Bearing                  | 4   | 6A036200  | 6200ZZ          |          |                    |     |           |                |
| 9        | Nut                      | 4   | 6D030100  | NH-10 ★         |          |                    |     |           |                |
| 10       | Washer                   | 4   | 6D510100  | WS-10 ★         |          |                    |     |           |                |
| 11       | Screw                    | 12  | 6C500408  | SF-4×8 ★        |          |                    |     |           |                |
| 12       | Drive shaft assembly     | 1   | 61007164  |                 |          |                    |     |           |                |
| 13       | Idle shaft assembly      | 1   | 61007165  |                 |          |                    |     |           |                |
| 14       | Chain                    | 1   | 60037528  | RS15-74         |          |                    |     |           |                |
| 15       | Magnet                   | 1   | 61006893  |                 |          |                    |     |           |                |
| 16       | Magnet lever             | 1   | 61006958  |                 |          |                    |     |           |                |
| 17       | Cover                    | 1   | 61004747  |                 |          |                    |     |           |                |
| 18       | Screw(SUS)               | 3   | 6C750614  | SF-6×14 ★       |          |                    |     |           |                |
| 19       | Gearbox cover            | 1   | 61006976  |                 |          |                    |     |           |                |
| 20       | Screw (SUS)              | 6   | 6C730412  | M4×12 d=6 ★     |          |                    |     |           |                |
| 21       | Worm bearing retainer    | 1   | 61007050  |                 |          |                    |     |           |                |
| 22       | Bearing                  | 1   | 6A036900  | 6900ZZ          |          |                    |     |           |                |
| 23       | Worm                     | 1   | 60037516  |                 |          |                    |     |           |                |
| 24       | Bearing                  | 1   | 6A030686  | 686ZZ           |          |                    |     |           |                |
| 25       | Screw (SUS)              | 3   | 6C730412  | M4×12 d=6 ★     |          |                    |     |           |                |
| 26       | Hexagon bolt             | 4   | 6C450412  | M4×12(WS,WF) ★  |          |                    |     |           |                |
| 27       | Chain guide              | 1   | 61006966  |                 |          |                    |     |           |                |
| 28       | Screw (SUS)              | 2   | 6C730412  | M4×12 d=6 ★     |          |                    |     |           |                |
| 29       | Base plate               | 1   | 61006964  |                 |          |                    |     |           |                |
| 30       | Screw (SUS)              | 10  | 6C730412  | M4×12 d=6 ★     |          |                    |     |           |                |
| 31       | Side panel (L)           | 1   | 61006961  | left side       |          |                    |     |           |                |
| 32       | Limit switch assembly(L) | 1   | 61006470  | with CN         |          |                    |     |           |                |
| 32-1     | Push button switch       | 1   | 64000171  | SB-221(N/C)R2B  |          |                    |     |           |                |
| 33       | Hexagon bolt (SUS)       | 2   | 6C690406  | M4×6 ★          |          |                    |     |           |                |

※The number changes at the time of manufacture

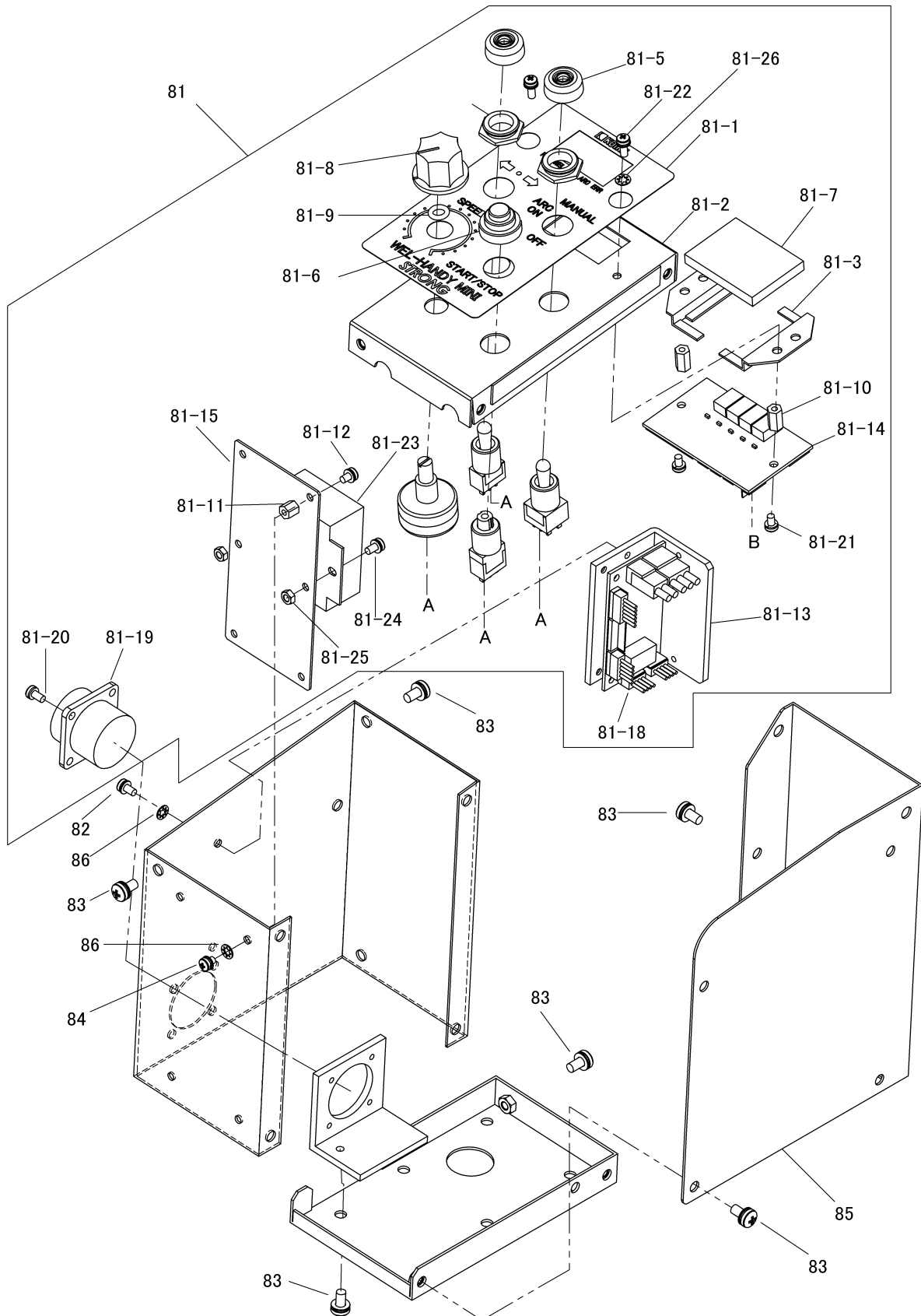
## 9.2 Outside parts



## Outside parts

| ITEM No. | PART NAME             | QTY | STOCK No. | REMARKS           | ITEM No. | PART NAME             | QTY | STOCK No. | REMARKS                      |
|----------|-----------------------|-----|-----------|-------------------|----------|-----------------------|-----|-----------|------------------------------|
| 51       | Torch holder assembly | 1   | 61007168  |                   | 61-8     | Guide roller shaft    | 1   | 61006967  |                              |
| 51-1     | Clamp knob            | 1   | 60038166  |                   | 62       | Hexagon bolt          | 2   | 6C450516  | M5×16(WS,WF)<br>★            |
| 51-2     | Holder body           | 1   | 61003323  |                   | 63       | Heat shield           | 1   | 61006965  |                              |
| 51-3     | Insulating collar     | 2   | 60038149  |                   | 64       | Collar                | 2   | 64000575  |                              |
| 51-4     | Hexagon bolt          | 2   | 6C030618  | M6×18 ★           | 65       | Hexagon bolt          | 2   | 6C030540  | M5×40 ★                      |
| 51-5     | Insulating plate      | 1   | 60038148  |                   | 66       | Spring washer         | 2   | 6D510050  | WS-5 ★                       |
| 51-6     | Holder received bar   | 1   | 61006968  |                   | 67       | Washer                | 2   | 6D500050  | WF-5 ★                       |
| 52       | Fixing holder         | 1   | 61000597  |                   | 68       | Guide Roller Assembly | 1   | 67000482  | (With DU bush,<br>DU washer) |
| 53       | Hexagon bolt          | 2   | 6C450515  | M5×15(WS,WF)<br>★ |          |                       |     |           |                              |
| 54       | Hexagon bolt          | 1   | 6C450625  | M6×25(WS,WF)<br>★ |          |                       |     |           |                              |
| 55       | Slide unit assembly   | 1   | 61000645  |                   |          |                       |     |           |                              |
| 55-1     | Slide base            | 2   | 61000595  |                   |          |                       |     |           |                              |
| 55-2     | Nut                   | 1   | 61000596  |                   |          |                       |     |           |                              |
| 55-3     | Shaft                 | 4   | 61000598  |                   |          |                       |     |           |                              |
| 55-4     | Screw shaft           | 1   | 61000600  |                   |          |                       |     |           |                              |
| 55-5     | Screw shaft(left)     | 1   | 61000659  |                   |          |                       |     |           |                              |
| 55-6     | Handle                | 2   | 61000061  |                   |          |                       |     |           |                              |
| 55-7     | Stop ring             | 8   | 6B520080  | STW-8             |          |                       |     |           |                              |
| 55-8     | DU bush with brim     | 2   | 64000016  | MB0808-15FDU      |          |                       |     |           |                              |
| 55-9     | DU washer             | 2   | 6D520006  | WC06DUN           |          |                       |     |           |                              |
| 55-10    | Spring pin            | 2   | 6B022518  | PR-2.5×18         |          |                       |     |           |                              |
| 56       | Slide unit bracket    | 1   | 61006973  |                   |          |                       |     |           |                              |
| 57       | Hexagon bolt          | 2   | 6C450512  | M5×12(WS,WF)<br>★ |          |                       |     |           |                              |
| 58       | Hexagon bolt          | 3   | 6C450515  | M5×15(WS,WF)<br>★ |          |                       |     |           |                              |
| 59       | Hexagon bolt          | 4   | 6C450512  | M5×12(WS,WF)<br>★ |          |                       |     |           |                              |
| 60       | Roller arm            | 2   | 61006963  |                   |          |                       |     |           |                              |
| 61       | Guide roller assembly | 2   | 61007170  |                   |          |                       |     |           |                              |
| 61-1     | Hexagon nut           | 1   | 6D040080  | M8 ★              |          |                       |     |           |                              |
| 61-2     | Spring washer         | 1   | 6D510080  | WS-8 ★            |          |                       |     |           |                              |
| 61-3     | Washer                | 1   | 6D500080  | WF-8 ★            |          |                       |     |           |                              |
| 61-4     | Guide roller plate    | 1   | 61006962  |                   |          |                       |     |           |                              |
| 61-5     | DU bush with brim     | 1   | 6D711018  | MB1010-18FDN      |          |                       |     |           |                              |
| 61-6     | Guide roller          | 1   | 67000374  |                   |          |                       |     |           |                              |
| 61-7     | DU washer             | 1   | 6D520010  | WC10DUN           |          |                       |     |           |                              |

### 9.3 Electrical parts



## Electrical parts

| ITEM No. | PART NAME              | QTY | STOCK No. | REMARKS                   | ITEM No. | PART NAME | QTY | STOCK No. | REMARKS |
|----------|------------------------|-----|-----------|---------------------------|----------|-----------|-----|-----------|---------|
| 81       | Operation panel ass'y  | 1   | 61007692  |                           |          |           |     |           |         |
| 81-1     | Operation plate        | 1   | 61006987  |                           |          |           |     |           |         |
| 81-2     | Operation box C        | 1   | 61006971  |                           |          |           |     |           |         |
| 81-3     | Glass pressing         | 2   | 61006450  |                           |          |           |     |           |         |
| 81-4     | Dustproof nut          | 2   | 60032480  |                           |          |           |     |           |         |
| 81-5     | Water proof cap        | 2   | 60032431  |                           |          |           |     |           |         |
| 81-6     | Water proof cap        | 1   | 64000024  | For pushbutton            |          |           |     |           |         |
| 81-7     | Dark gray glass        | 1   | 61006298  |                           |          |           |     |           |         |
| 81-8     | Nob                    | 1   | 60031249  |                           |          |           |     |           |         |
| 81-9     | O-ring                 | 1   | 60036472  | P-6                       |          |           |     |           |         |
| 81-10    | Spacer                 | 2   | 64000497  | Hexagon type SP-10        |          |           |     |           |         |
| 81-11    | Spacer                 | 4   | 64000574  | Hexagon type ASB-306E     |          |           |     |           |         |
| 81-12    | Screw                  | 4   | 6C570305  | M3×5(WS,WF) ★             |          |           |     |           |         |
| 81-13    | L-MD-A circuit board   | 1   | 20508809  | ※1                        |          |           |     |           |         |
| 81-14    | L-DSP-A circuit board  | 1   | 20508806  | ※1                        |          |           |     |           |         |
| 81-15    | Noise filter board     | 1   | 61007569  |                           |          |           |     |           |         |
| 81-16    | Switch ass'y           | 1   | 61007231  | DSP-CN9                   |          |           |     |           |         |
| 81-17    | Harness ass'y A(4P~4P) | 1   | 61006508  | MD-CN3~DSP-CN2            |          |           |     |           |         |
| 81-18    | Terminal resistance    | 1   | 61006519  | MD-CN2                    |          |           |     |           |         |
| 81-19    | Receptacle assembly    | 1   | 61007570  | with connector, lead wire |          |           |     |           |         |
|          | Receptacle             | 1   | 64000584  | NCS-256-R (Square)        |          |           |     |           |         |
| 81-20    | Screw                  | 4   | 6C570308  | M3×8(WS,WF) ★             |          |           |     |           |         |
| 81-21    | Screw                  | 2   | 6C570306  | M3×6(WS,WF) ★             |          |           |     |           |         |
| 81-22    | Screw                  | 2   | 6C570308  | M3×8(WS,WF) ★             |          |           |     |           |         |
| 81-23    | Noise filter           | 1   | 64000583  |                           |          |           |     |           |         |
| 81-24    | Screw                  | 2   | 6C570306  | M3×6(WS,WF) ★             |          |           |     |           |         |
| 81-25    | Hexagon Nut            | 2   | 6D500030  | M3 ★                      |          |           |     |           |         |
| 81-26    | Toothed lock washer    | 1   | 6D550030  | AW-3                      |          |           |     |           |         |
| 82       | Screw                  | 2   | 6C570306  | M3×6(WS,WF) ★             |          |           |     |           |         |
| 83       | Screw                  | 9   | 6C570408  | M4×8(WS,WF) ★             |          |           |     |           |         |
| 84       | Screw                  | 4   | 6C570306  | M3×6(WS,WF) ★             |          |           |     |           |         |
| 85       | Operation box A        | 1   | 61006969  |                           |          |           |     |           |         |
| 86       | Toothed lock washer    | 2   | 6D550030  | AW-3                      |          |           |     |           |         |

※1 During parts order, please inform the versions that are listed in the printed board.