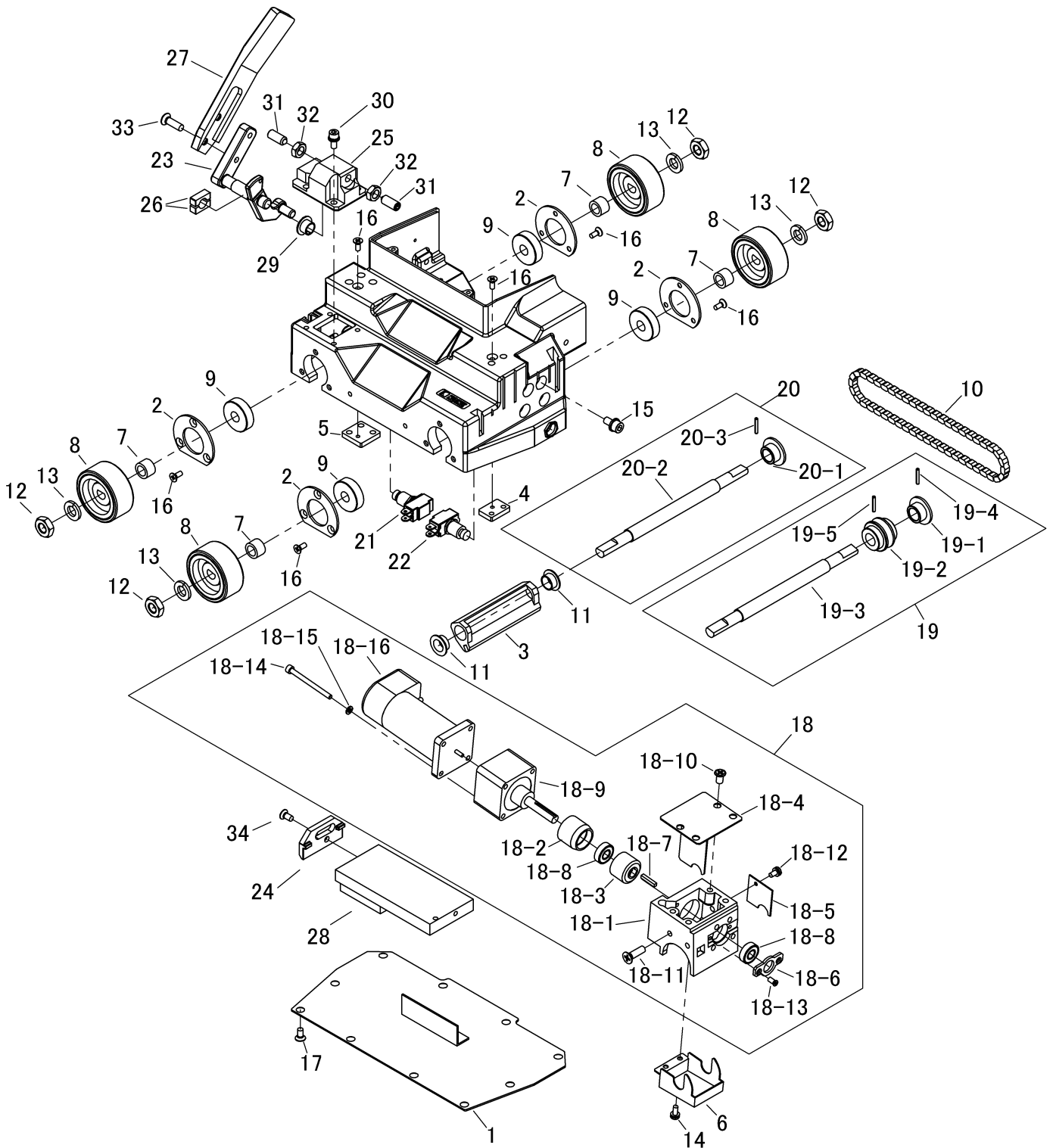


9 Parts list

9.1 Main body and inside parts



Main body and inside parts

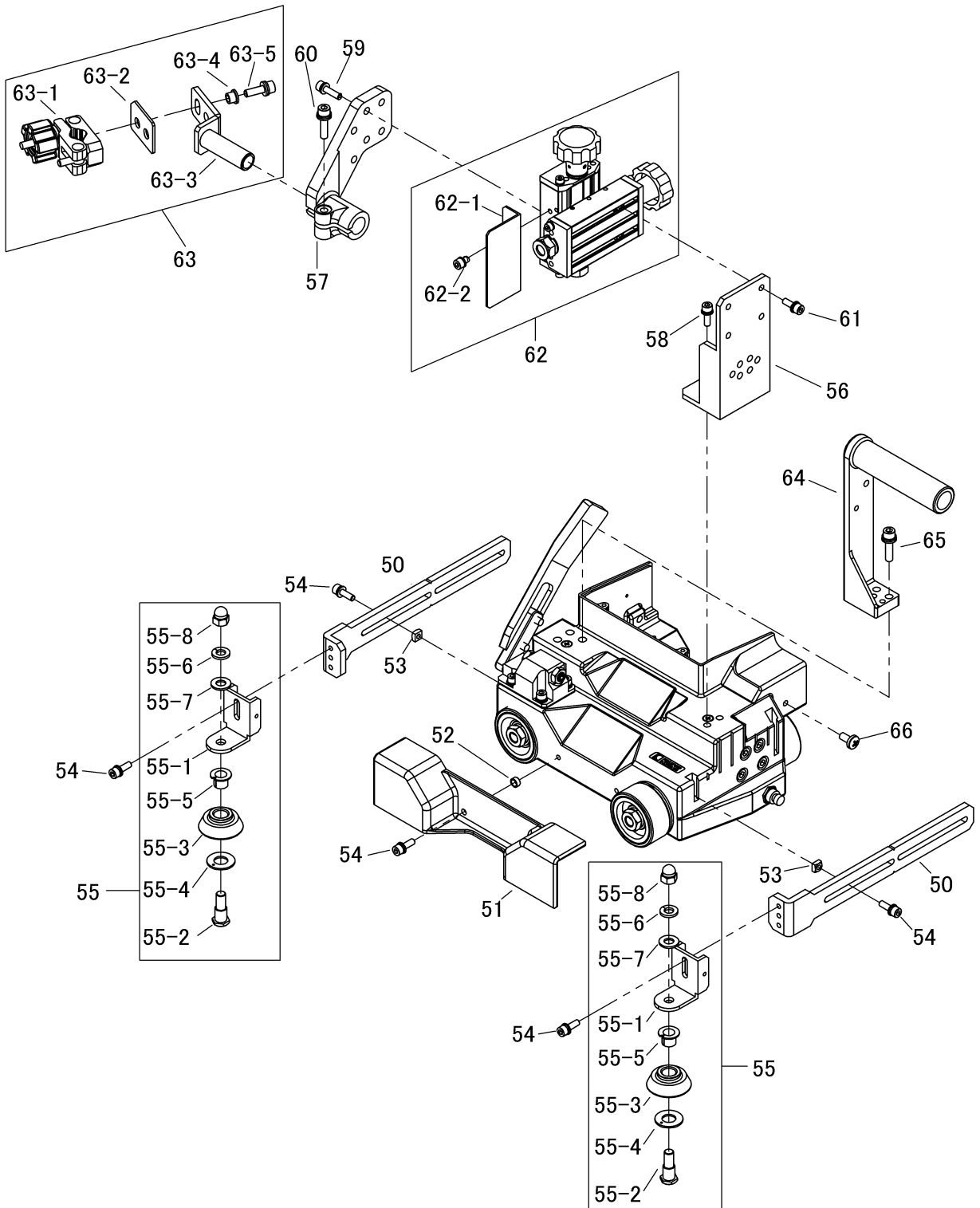
ITEM No.	PART NAME	QTY	STOCK No	REMARKS
1	Under cover	1	20503581	
2	Bearing plate	4	20503582	
3	MG Holding block	1	20503558	
4	Mounting plate A	1	20503583	
5	Mounting plate B	1	20503584	
6	Gear box under cover	1	20503576	
7	Spacer	4	61007553	
8	Drive roller	4	61000579	
9	Bearing	4	6A036200	6200ZZ
10	Chain	1	67000012	RS15-82 コマ
11	DU bush	2	60034035	MB1206-20FDU
12	Nut	4	6D030100	NH-10
13	Spring washer	4	6D510100	WS-10
14	Screw	1	6C530410	SP-4×10
15	Hexagon socket head cap screw	4	6C440612	BC-6×12 (WS)
16	Screw	14	6C500408	SF-4×8
17	Screw	10	6C500510	
18	Gear box assembly	1	20504347	
18-1	Gear box	1	20503565	
18-2	Gear box bearing spacer	1	20503575	
18-3	Worm gear	1	61007941	
18-4	Gear box cover	1	20503577	
18-5	Gear box side cover	1	20503578	
18-6	Gear box bearing plate	1	20503579	
18-7	Key	1	20503768	
18-8	Bearing	2	6A030698	
18-9	Gear head	1	61007942	IG-43-KS51/49
18-10	Screw	4	20504668	M6×10
18-11	Screw	1	6C500608	SF-6×8
18-12	Screw	1	6C570410	SP-4×10
18-13	Screw	2	20504669	M4×8

ITEM No.	PART NAME	QTY	STOCK No	REMARKS
18-14	Hexagon socket head cap screw	4	6C030450	BC-4×50
18-15	Spring washer	4	6D510040	WS-4
18-16	Motor	1	61007939	
19	Drive shaft assembly	1	20504449	
19-1	Sprocket	1	20503665	※2
19-2	Worm wheel	1	61007940	※2
19-3	Motor wheel shaft	1	61000568	J4105-10A03-1 ※2
19-4	Spring pin	1	6B022518	PR-2.5×18
19-5	Spring pin	1	5A001065-Y	PR-3×22
20	Idle shaft assembly	1	20504450	
20-1	Sprocket	1	20503665	※2
20-2	Motor wheel shaft	1	61000568	J4105-10A03-1 ※2
20-3	Spring pin	1	6B022518	PR-2.5×18
21	Limit switch(R)	1	61006497	
21-1	Push button switch	1	64000171	
22	Limit switch(L)	1	61006470	
22-1	Push button switch	1	64000171	
23	MG lever	1	20503408	
24	MG bracket	1	20503574	
25	MG lever holder	1	20503569	
26	MG lever collar	2	20503573	
27	Lever	1	61000641	J4105-13B08
28	Standard magnet	1	61007944	
	50kg magnet	(1)	61000733	
29	DU bush	1	6D710718	MB1 007-18FDN
30	Hexagon socket head cap screw	4	6C450512	BC-5×12 (WF,WS)
31	Ball plunger	2	20503746	BSTH8A
32	Nut	2	6D030080	NH-8
33	Screw	2	6C500614	SF-6×14
34	Screw	1	6C500510	SF-5×10
35	grease	(1)	20505213	※1

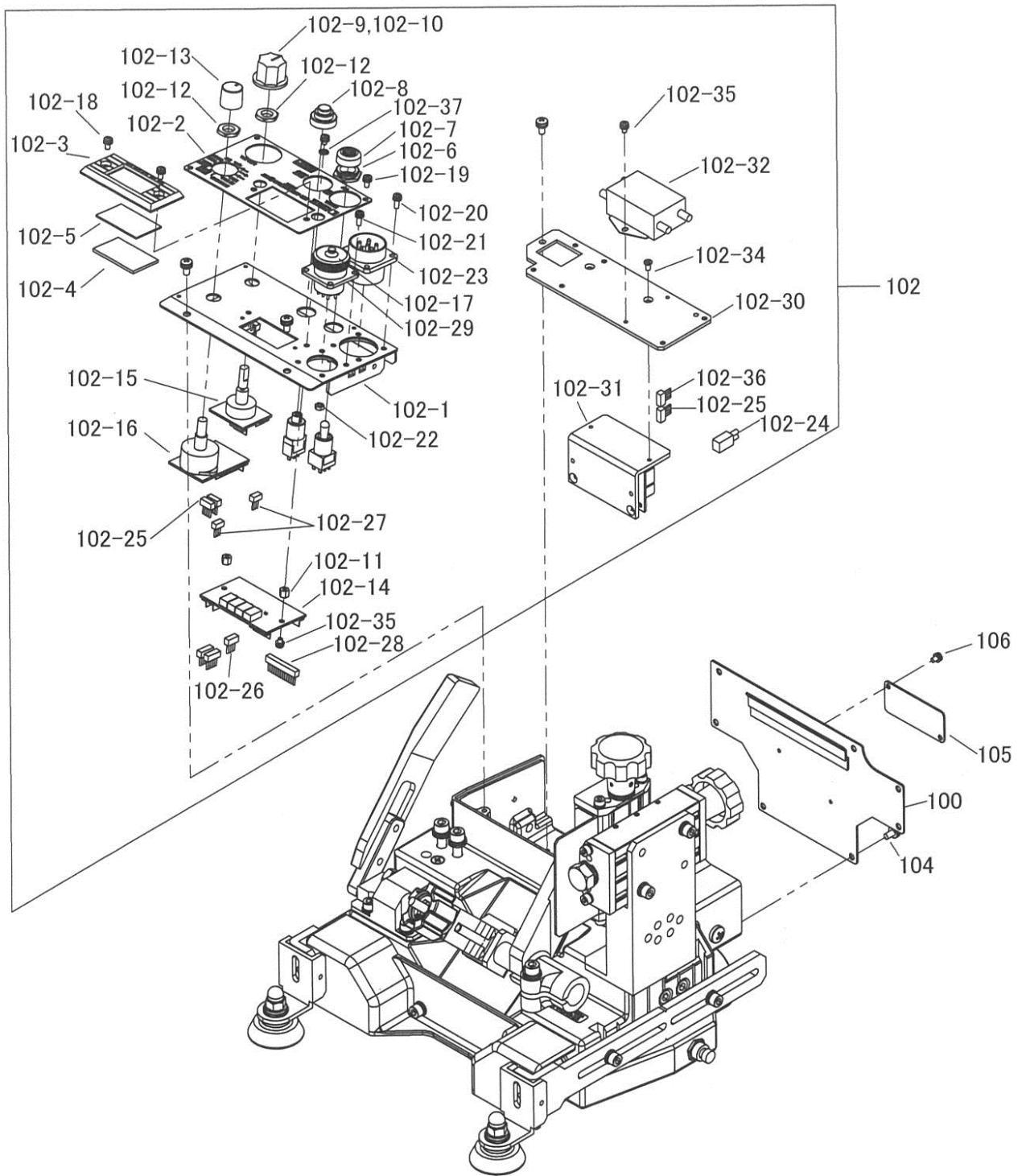
※1 It is grease to be applied to the long hole of No.24 MG bracket and the shaft of No.23 MG lever.

※2 It is necessary to drill and pin the holes to match the actual product.

9.2 Outside parts



9.3 Electrical parts



Electrical parts

ITEM No.	PART NAME	QTY	STOCK No	REMARKS
100	Control box B(CE)	1	20508487	
102	Control panel assembly(TACK)(CE)	1	20508239	
102-1	Control box A	1	20503887	
102-2	Operation name plate(TACK)	1	20503781	
102-3	Glass support	1	20503588	
102-4	Acrylic plate	1	20503617	
102-5	Glass	1	20503619	38mmx24mm x1.0t
102-6	Dust proof nut	2	60032480	
102-7	Water proof cup	2	60032431	
	Water proof cup	1	64000024	AT-4043
102-9	Knob	1	60031249	K-2901D
102-10	O ring	1	60036472	P-6
102-11	Spacer	2	60036469	SP-5
102-12	Nut (54D)	2	6D400001	
102-13	Knob	1	20504098	K-200-B
102-14	L-DSP-A substrate	1	20508806	※1
102-15	L-SW-A(MULTI SWITCH) substrate	1	61006244	
102-16	L-SW-A(MAIN) substrate	1	20508811	※1
102-17	Receptacle cap	1	64000525	NJC-20-Rca 70mm
102-18	Screw	2	6C570306	SP-3x6 (WS,WF)
102-19	Screw	3	6C530306	SP-3x6 (WS)
102-20	Screw	9	6C570308	SP-3x8 (WS,WF)
102-21	Screw	1	6C570310	SP-3x10 (WS,WF)
102-22	Nut	1	6D010030	NH-3
102-23	Receptacle assembly(CE)	1	20508236	
	Receptacle	1	64000584	NCS-256-R (square) ★
102-25	Harness plaiting A (4P~4P)	1	205004282	MD-CN3~ DSP-CN2
102-26	Harness plaiting B (4P~4P)	1	20504363	SW-CN3~ DSP-CN2
102-27	Harness plaiting C (3P~3P)	1	61006517	SW(MAIN)-CN4~ SW(MULTI)-CN4
102-28	Switch assembly	1	20504370	
	STRAT/STOP switch	1	60038204	MB2011L/B
	Direction selector switch	1	60037796	M-2033L/B
	Arc selector switch	1	6N110009	M-2029L/B

ITEM No.	PART NAME	QTY	STOCK No	REMARKS
102-29	Receptacle assembly (for WU-3)	1	20504364	
	Receptacle	1	64000523	NJC-2010-RF
102-30	Power supply/noise filter fixed plate	1	20508307	
102-31	L-MD-A substrate	1	20508809	※1
102-32	Noise filter	1	64000583	RSEL-2003W L3A
102-34	screw	2	6C500306	SF-3x6
102-35	screw	4	20508748-Y	SP-3x4 (WS,WF) ★
102-36	Terminating resistance assembly 4P	1	61006519	
102-37	Toothed lock washer	2	6D550030	AW-3 ★
104	Screw	12	6C530408	SP-4x8
105	Name plate(CE)	1	20508300	
106	Screw	2	6C570305	SP-3x5 (WS,WF)

※1 During parts order, please inform the versions that are listed in the printed board.