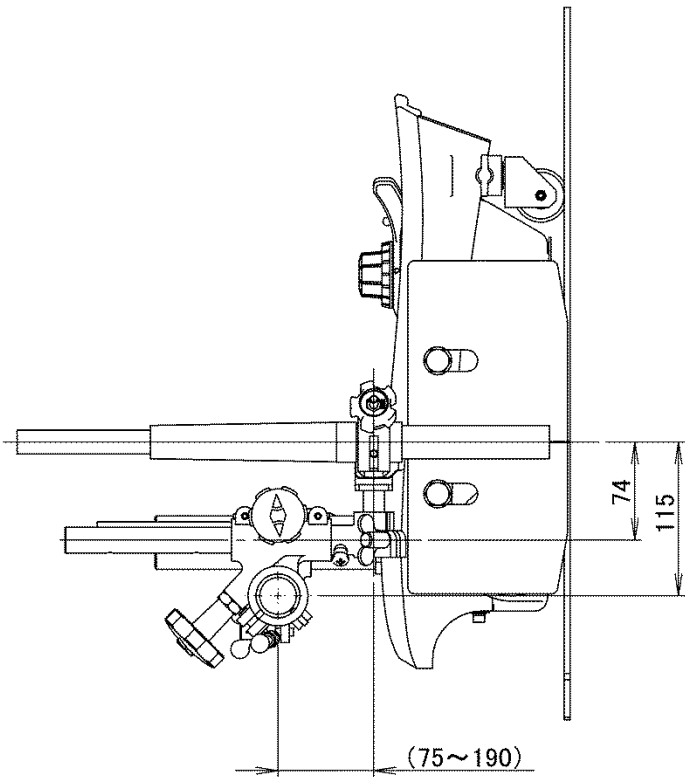
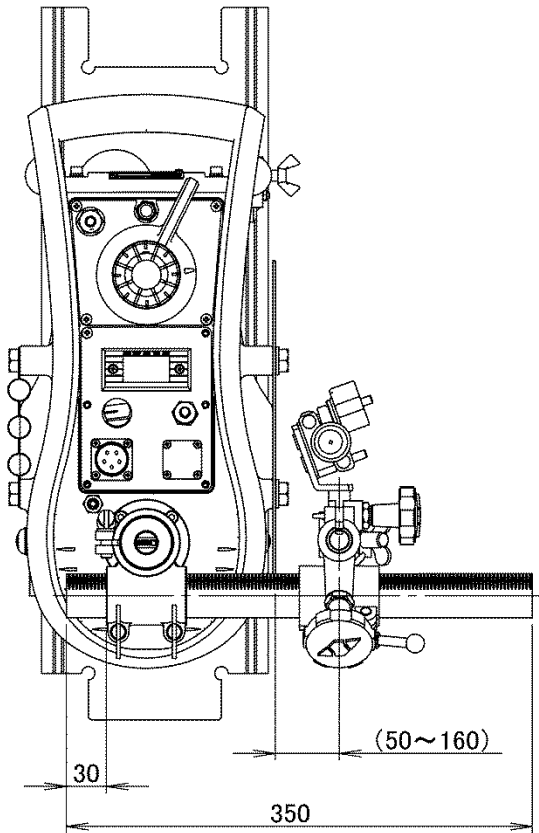


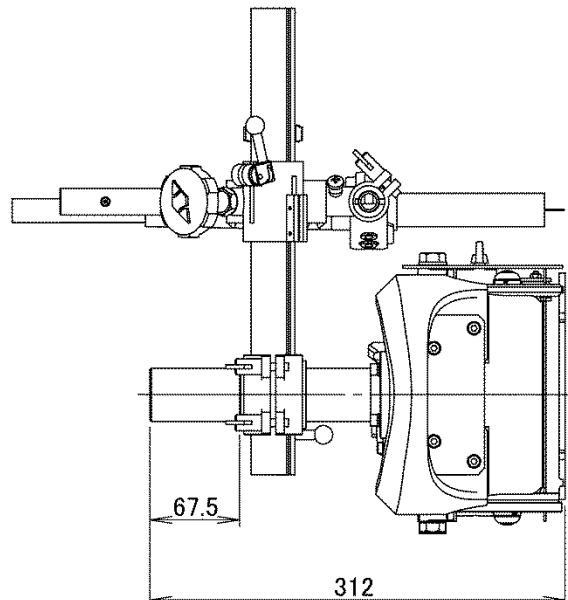
# TYPE-F WELDING HOLDER SET



## Assembly drawing of IK-12 NEXT



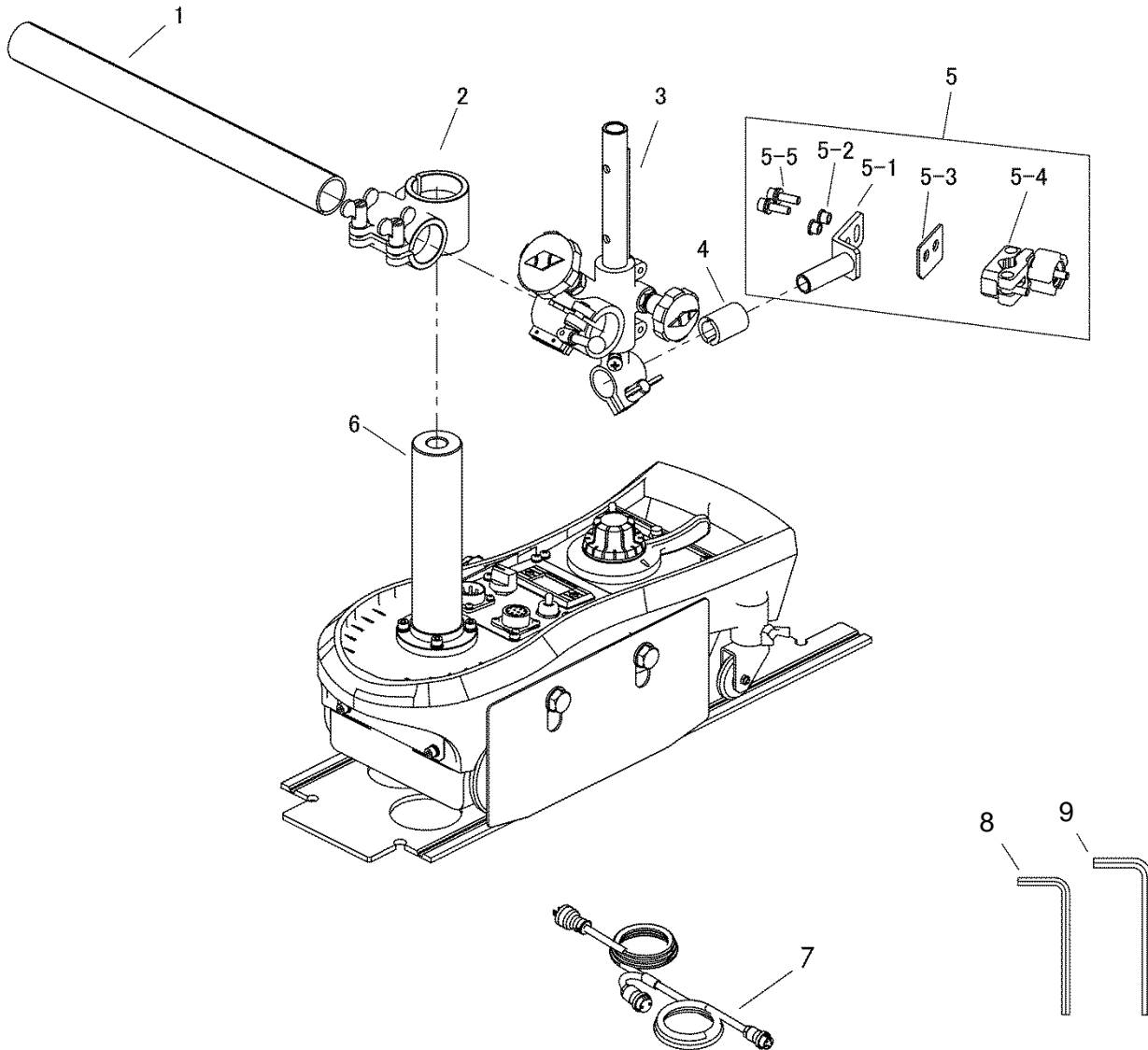
30mm=1.181inch
50~160mm=1.969~6.299inch
67.5mm=2.657inch
74mm=2.913inch
75~190mm=2.953~7.480inch
115mm=4.528inch
312mm=12.284inch
350mm=13.780inch



# TYPE-F WELDING HOLDER SET



## Parts list



ITEM No.	PART NAME	QTY	STOCK No.	REMARKS
1	Pipe arm	1	60030300	350L
2	Bar holder assembly	1	60030301	
3	Torch holder(F type)	1	60035080	
4	Bush	1	60061282	16-24
5	Torch holder assembly	1	20504624	
5-1	Holder received bar	1	61006968	
5-2	Insulating collar	2	60038149	
5-3	insulating plate	1	60038148	
5-4	Clamp assembly	1	20505525	

ITEM No.	PART NAME	QTY	STOCK No.	REMARKS
5-5	Hexagon socket head cap screw	2	6C450620	BC-6×20(WS,WF)
6	Stand	1	60030440	180L
7	Power cable for welding	(1)	61004860	Option
	Power cable for welding	(1)	61005388	Option KE only
8	Hexagonal wrench 4mm	1	6W700006	
9	Hexagonal wrench 5mm	1	6W700007	